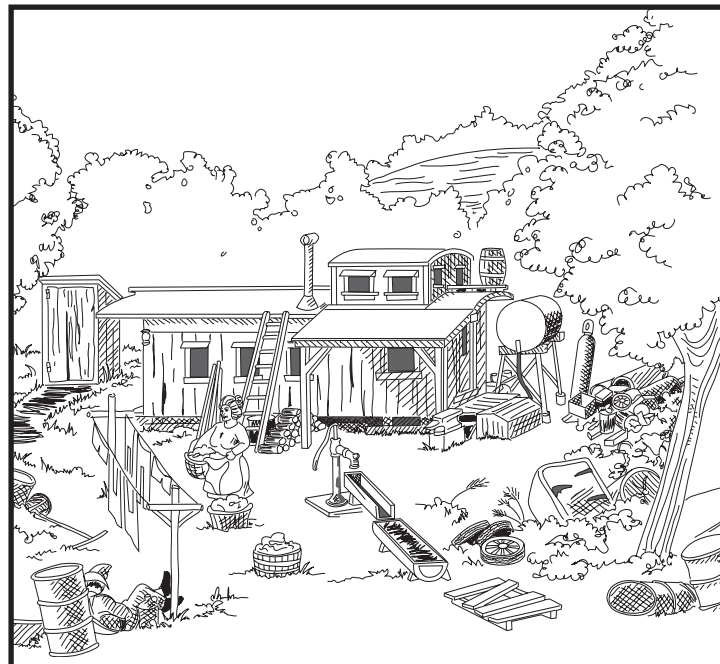


COMPLETE TERRAIN AND LANDSCAPE SYSTEMS

If it exists...you can model it. Model any color, texture, shape and size existing in nature easily. Start with your base terrain, add contours, rocks and soil and model any type of vegetation from ground cover to grasses, bushes, weeds and trees. Add water features from the smallest trickling stream to a thunderous waterfall to small ponds or large lakes. The systems are designed to model any geographic area from deserts to grasslands to mountains to shoreline.

Check out The Scenery Manual (C1207) and learn the secrets to modeling realistic layouts. The detailed color illustrations and photos show you how to create terrain and landscape easily and how to construct, detail and place structures. Visit us at woodlandscenics.com for more resources, how-to videos, tips, techniques and ideas.

We make every effort to ensure we manufacture our kits complete. However, if this kit is missing a part, please make note of the kit model number and missing part, and contact the Woodland Scenics Sales and Customer Service Department at PO Box 98, Linn Creek, MO 65052, 573-346-5555, sales@woodlandscenics.com.



Possum Hollow

TS151

INTRODUCTION

Read through instructions before beginning.

Trackside Scenes is a series of highly detailed and imaginative kits that present life as it is often seen from the perspective of a passing locomotive.

CAUTION: Cutting tools recommended. Use with care.

Conforms to Health Requirements of ASTM D4236

MODELING AND CARE INFORMATION This kit suggests the use of products that may stain or cause damage. Take care to cover project area and clothing appropriately. Follow recommendations for use and cleanup.

WOODLAND SCENICS®

PO Box 98, Linn Creek, MO 65052

Phone 573-346-5555 • Fax 573-346-3768

woodlandscenics.com

XINSTTS151 H6 ©1999 0 CO

GENERAL INSTRUCTIONS

Clean and Fit Castings

- Wash Castings in warm, soapy water. Rinse and let dry.
- Castings will have parting lines, flash and stems that need to be removed. To remove, scrape off with a hobby knife, file or sand.
- If Castings do not align properly, fit them by removing metal with a hobby knife or file. Metal Castings are somewhat brittle and should be handled carefully. If they are bent or warped, straighten by placing on flat surface and pushing down high areas.

Glue Castings

- Assemble Castings with fast setting epoxy or super glue. We prefer super glue.
- Allow glue to dry completely before moving to next construction step.

Paint Castings

- We recommend the Mini-Scene® Paint Set (M125). It includes detailed instructions on painting and weathering. High-quality acrylic hobby paints will also work.
- Plan ahead. It may be easier to pre-paint certain Castings prior to assembly. If you pre-paint Castings, scrape paint from glue points.

APPLY TURF

1. Locate an area on layout for Possum Hollow. If area is glossy, sand lightly.
2. Spray area to be landscaped with Scenic Cement (S191) using the Scenic Sprayer (S192). Sprinkle Turf over glue until covered completely. Seal with a final coat of Scenic Cement and let dry.
 - Use Green Blend Blended Turf and Earth Fine Turf as desired. Blend colors until Turf looks natural. An area with only one color rarely occurs in nature. Spray Scenic Cement between layers of Turf.
 - Blend Turf with surrounding scenes.
 - If desired, leave some areas clear of Turf to model erosion.

ASSEMBLE TREES

Prepare Tree Armature

1. Bend and twist Tree Armatures into realistic, three-dimensional shapes.
2. Prime Armatures before painting. **TIP!** If primer beads on Casting, touch paintbrush to a bar of wet soap and then dip in paint. This will help break the

surface tension of paint, allowing it to adhere to the casting.

3. Paint Armatures with acrylic paint. Let paint dry between coats.

TIP! Most tree trunks are dark with light or medium brown highlights. After darker paint color dries, drybrush trunk with a lighter shade of paint.

Apply Foliage

1. Stretch Foliage until thin and lacy (approx. twice the original size).
2. Apply Hob-e-Tac to branches, avoiding trunk area where foliage does not grow naturally. Let dry until clear and tacky (approx. 15 minutes, drying times vary).
3. Place stretched Foliage on to branches. Apply as a sheet or in small sections.
4. Spray finished Tree with a coat of Scenic Cement.

TIP! Use extra pieces of Foliage as ground cover. Attach with Scenic Glue.

See Assembly Instructions on reverse side.

KIT CONTENTS

89 Lead-Free Metal Castings
7 Tree Armatures
10 Wood Ties
1 sheet Clear Window Material
1 Cardstock 2-7/8 in x 2-7/8 in
(7.3 cm x 7.3 cm)
Dark Green Foliage 36 in² (232 cm²)
Medium Green Foliage
2.88 in² (18.5 cm²)
Earth Fine Turf 3.6 in² (58.9 cm²)
Green Blend Blended Turf
3.6 in² (58.9 cm²)
Wire 6 in (15.2 cm)

Metal Castings Include:

Lots of Junk Piles
Caboose Assembly
Outhouse Assembly
Fuel Tank Assembly
Laundry
Washing Machine
Refrigerator
Tanks
Wood Pile
Man and Woman
2 Dogs

ADDITIONAL MATERIALS NEEDED TO COMPLETE SCENE

- Primer
- Acrylic Paint
- Paintbrushes
- Hobby Knife or File
- Hob-e-Tac® (S195)
- Scenic Cement™ (S191)
- Scenic Sprayer™ (S192)
- Scenic Glue™ (S190)
- Super Glue

ASSEMBLY INSTRUCTIONS

CABOOSE ASSEMBLY (Fig. 1)

1. Measure window openings. Transfer measurements to Clear Window Material, and then cut out. Install Window Material with super glue. **TIP!** Apply Window Material to groups of windows. Cut Window Material slightly oversized, as super glue can cause clouding.
 2. Assemble and glue Parts 1–4 in numerical sequence. Keep edges flush and square.
 3. Glue Parts 6 (2x) to Caboose Assembly (Parts 1-4). Top edges must be flush (**Fig. 1a**).
 4. Assemble and glue Parts 7-9 to Caboose Assembly.
 5. Using the Wood Ties (10x), assemble and glue to create a Caboose Support (**Fig. 1b**).
 6. Using the Cardstock, cut a floor to fit ridge inside Caboose Assembly, and then glue in place (**Fig. 1b**).
 7. Glue Caboose Support to bottom of Caboose Assembly.
 8. Glue Parts 10-14 to Caboose Assembly.
- NOTE:** Part 14 fits underneath Caboose Assembly.

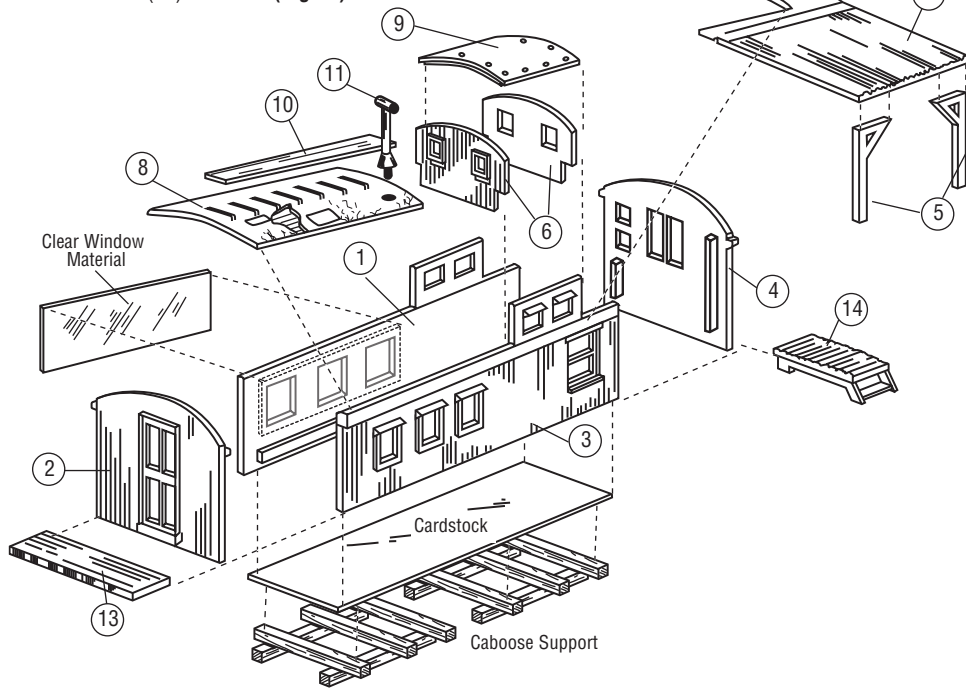


Fig. 1a

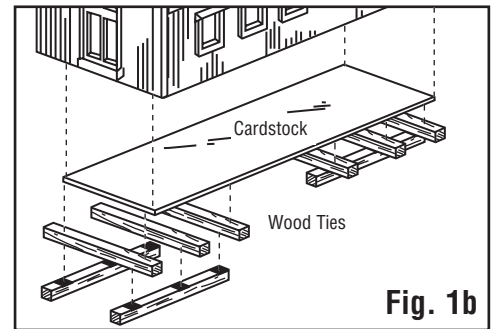
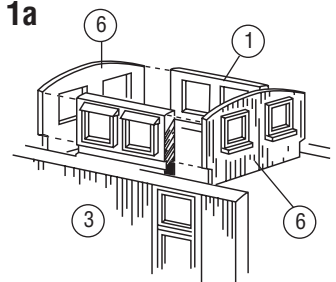


Fig. 1b

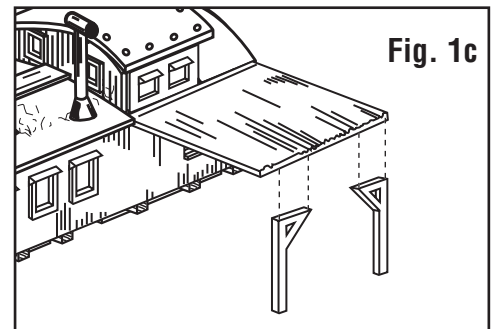
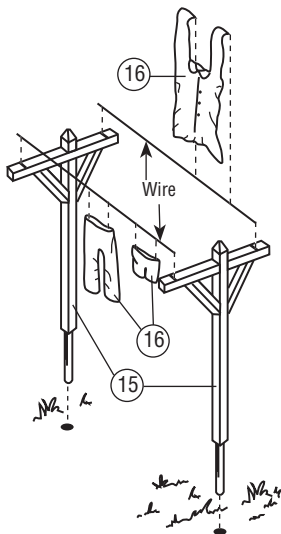


Fig. 1c

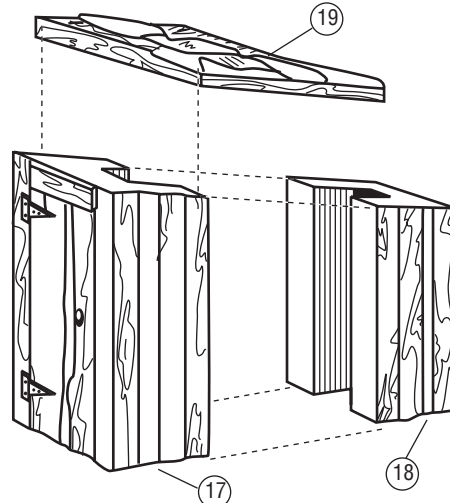
CLOTHESLINE (Fig. 2)

1. Poke two holes in layout, approximately 2 1/2" apart. Insert Clothesline Pole pin into hole and secure with Scenic Glue. Make sure Clothesline Poles face each other.
2. Glue two equal lengths of Wire to crossbars.
3. Glue Parts 16 (3x) to Clothesline.



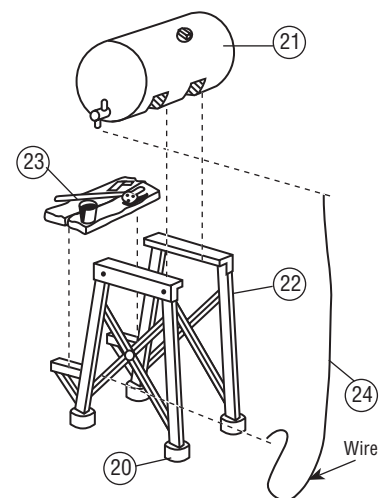
OUTHOUSE (Fig. 3)

1. Sand inner seams on Parts 17 and 18. Edges must be smooth and square.
2. Assemble Parts 17 and 18.
3. Turn Outhouse Assembly (Parts 17 and 18) upside down and sand top edge smooth.
4. Assemble and glue Part 19 to Outhouse Assembly.



FUEL STAND (Fig. 4)

1. Assemble and glue Parts 20-24 in numerical sequence.
2. Assemble and glue Wire as illustrated.



FINAL ASSEMBLY

After all assemblies have been completed, attach to layout in desired locations. The extra Castings included with this kit are details to enhance your scene and make it unique. Add lights to your scene quickly and easily using the Woodland Scenics Just Plug™ Lighting System. Visit woodlandscenics.com to learn more.