

SCENIC DETAILS®

TUCKER BROTHERS MACHINE SHOP D240



GENERAL INSTRUCTIONS

Clean and Fit Castings - Castings have parting lines, flash and stems that should be removed. Scrape off with a hobby knife, file or sand. If Castings do not align properly, fit them by removing metal with a hobby knife or file. Castings are somewhat brittle and should be handled carefully. If Castings are bent or warped, straighten by placing on a flat surface and pushing down high areas. Prior to gluing and painting, wash Castings in warm, soapy water, rinse and let dry.

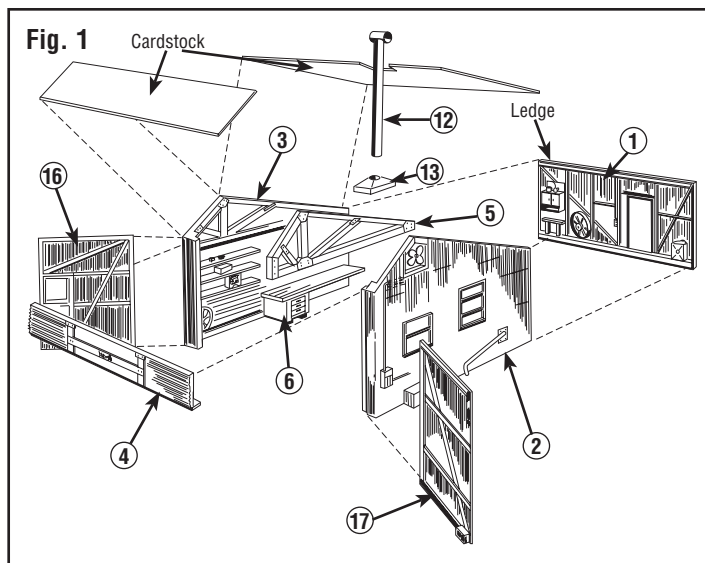
Glue Castings - Glue Castings with cyanoacrylate adhesive (CA glue /super glue) or a fast-setting epoxy.

Prime and Paint Castings - Prime all Castings and let dry. If primer beads on Casting, touch paintbrush to a bar of wet soap and then dip in paint. This will help break surface tension of paint, allowing it to adhere to the casting. We recommend painting Castings with the Mini-Scene® Paint Set (M125). It includes detailed instructions on painting and weathering. High quality, matte hobby paints will also work. Plan ahead. It is often easier to paint Castings prior to assembly. Scrape paint from glue points.

INSTRUCTIONS

Read General Instructions before beginning.

1. Clean and fit castings.
2. Fit Parts 1-4 together and glue. **NOTE:** Parts 1 and 4 fit in notches between Parts 2 and 3.
3. Position Part 5 on ledge spanning between Parts 1 and 4 and centered between Parts 2 and 3 and glue.
4. Position the assembled building on top of scored basswood and lightly trace around inside of building with sharp pencil. Basswood sheet will become floor of building.
5. Use straight-edge and hobby knife to cut out basswood so it fits inside the building.
6. Glue floor to bottom of building.
7. Fit and glue Part 6 to Parts 1 and 3.
8. Position and glue Parts 7-11.
9. Cut cardstock roof so that all edges overlap building $1/16"$ to $1/8"$ at the eaves. **DO NOT GLUE.**
10. Place large cardstock roof panel on building and mark a spot on roof panel that is approximately $1/4"$ to the side of Part 5 and $1/4"$ from ridge-line to roof. Punch a hole the same size as Part 12 at this point.
11. Install Part 12 into hole and glue Part 13 to 12 (**DO NOT GLUE** Part 12 to roof).
12. Glue roof to building and slide Part 12 vertically so that Part 13 is approximately $5/8"$ above floor. Hold Part 12 in a vertical position and glue to roof. Optional: To add roof detail, cut 11 strips of black construction paper (not included) approximately $5/16"$ wide by 3" long.
13. Glue strips to roof starting with bottom edge and overlap each piece approximately $1/16"$ as you go up. After paper has been glued, trim edges.
14. Center furnace on Part 14 under Part 13 and glue to floor. Glue Part 15 to floor next to Part 14.
15. Glue Parts 16 and 17 in desired position.



WINDOW AND DECAL APPLICATION INSTRUCTIONS

Read through all instructions before beginning. Sections of these instructions are not applicable to all kits.

WINDOW MATERIAL

Cut Window Material to fit over windows on inside of building. Window installation is easier when material is installed over sections of windows at one time. Cut Window Material slightly larger than opening to make installation easier. **NOTE:** Some window frames are recessed and require window material be cut to exact size.

WINDOW DECALS

Apply Decals before installing Window Material. Place Window Material behind window opening and mark outline by scoring lightly. Clean Window Material with alcohol. Position Decal in desired location and transfer as instructed (see Decal Application).

DECAL APPLICATION

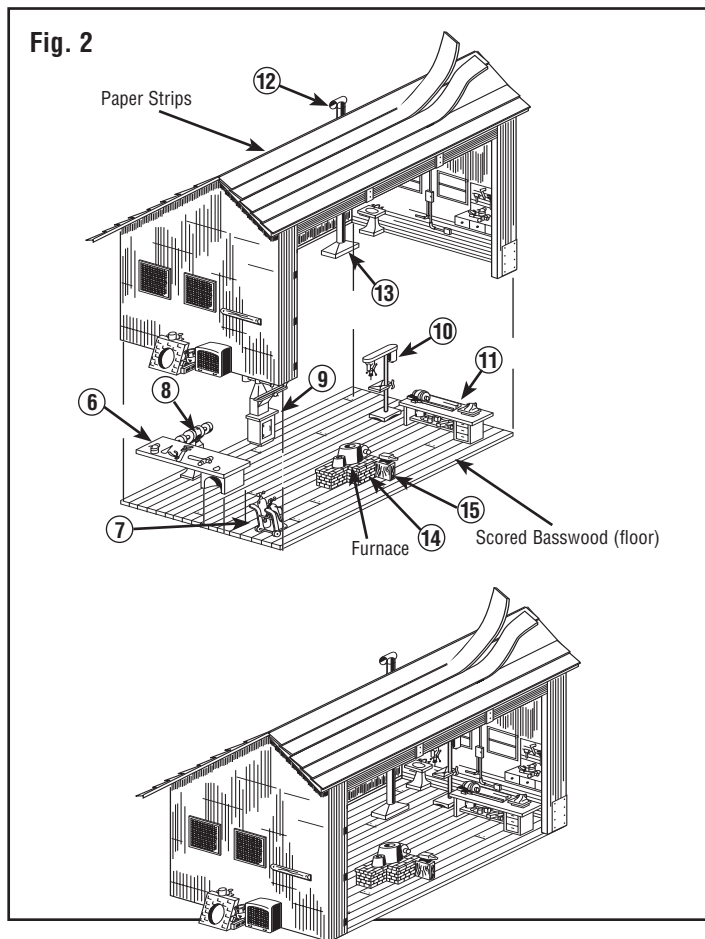
Keep Decal Sheet clean and free of dust. Apply to clean, dry and dust free surfaces. Cut out desired decal. To transfer, hold carrier sheet securely and rub with Burnisher (DT600) or a dull pencil. Work from one side of the Decal to the other. The image will appear to fade as it transfers. For maximum adhesion, place the backing paper over decal and burnish again. See photo on front of instruction sheet for suggested placement of Decals.

INSTALL WINDOWS

Window Material should be installed after all painting is completed. We recommend gluing windows with white glue or super glue. Apply glue around edges of Window Material. Be careful to not get glue on visible areas. If using super glue, apply a tiny amount around edges of window material only, as clouding can occur.

APPLICATION TIPS

Plan ahead. It is sometimes easier to apply Decals prior to assembly. When applying to a textured surface, rub Decal gently with a fingertip or soft eraser to press into the recesses of the texture.



CAUTION: Cutting tools recommended. Use with care.

MODELING AND CARE INFORMATION This kit suggests the use of materials that may stain or cause damage. Take care to cover project area and clothing appropriately. Follow recommendations for use and cleanup.

Model making product. Not a toy! Not suitable for children under 14 years! / Produit pour le modélisme. Pas un jouet! Pas adapté aux enfants de moins de 14 ans! / Producto para modelismo. No es un juguete! No adecuado para niños menores de 14 años! / Modellbauartikel. Kein Spielzeug! Nicht geeignet für Kinder unter 14!

WOODLAND SCENICS® Manufactured by **WOODLAND®**
 PO BOX 98, LINN CREEK, MO 65052
 N9 • woodlandscenics.com