

#40700 POPA WEELIE'S SALOON INSTRUCTIONS



CAUTION: Cutting tools recommended. Use with care.

This item is not a Children's Product and is not intended for use by Children.

Conforms to Health Requirements of ASTM D4236

PREPARE METAL CASTINGS

Remove parting lines, flash and stems with a hobby knife, diagonal cutters, sandpaper or file. Test fit Castings.

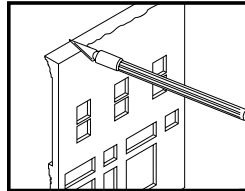
NOTE: Castings bend easily and should be handled carefully. Straighten bent or warped Castings.

Wash all Castings in warm, soapy water to remove residue caused by molding process. Rinse and allow parts to dry.

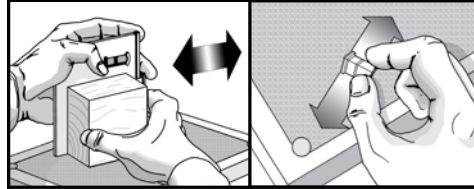
Plan ahead. It is easier to paint certain Castings before assembly. We recommend using a solvent-based spray primer coat and then painting Castings with a high quality, water-based flat paint. If you paint prior to assembly, scrape paint from glue points and touch up paint if necessary after assembly. Glue Castings together with a fast-setting epoxy or cyanoacrylate such as "super glue." A thick, gap-filling cyanoacrylate is recommended.

GENERAL INSTRUCTIONS

PREPARE PLASTIC PARTS



Use a hobby knife or diagonal cutters to remove excess plastic created by molding process. Do not cut into details.



The edges of all walls are angled (draft angle) so they can be removed from the mold. This angle needs to be sanded flat where one wall fits inside another. Tack 100-grit sandpaper to flat surface. Make sanding area longer than the longest wall of the model. Using squaring block, keep edges flat and hold panels square as you sand. Move wall panel, not the block. Sanding is essential to achieve proper fit. Sand or file the smooth sides and bottom of Chimney lightly for proper fit.

To glue plastic walls and pieces, use plastic model cement.

PAINTING & DETAILING PLASTIC PARTS

PAINTING

We recommend airbrushing with solvent-based enamel paints. Use water-soluble flat paint for brushing. See photo on box for suggested coloring. Paint roofs in flat tones and vary colors to resemble weathering and enhance shingle detail. Color window and door frames to match or contrast with building. Age building with chalk or lightly mist thinned flat black paint. Small details painted in contrasting colors will enhance the building's appearance. Scrape paint from glue points as necessary. Walls and other parts may be painted before assembling. If buildings are painted after assembly, be careful not to paint over the Clear Window Material.

OPTIONAL IDEA

To complete the illusion that the building is occupied, place Black Paper (included in this kit) diagonally from corner-to-corner inside the building to block light from entering.

ROOF

Measure inside dimensions of roof opening(s). Draw measurements on cardboard, then cut out and test fit cardboard. Make changes in cardboard roof as required until it fits well. Trace cardboard roof on Styrene Roof Material and cut out by scoring with hobby knife along straightedge and snapping off excess plastic. Test fit and make adjustments with hobby knife. Paint Roof a flat black. Glue in place according to Chimney type.

Molded In Chimney

Dew Duck'n has Chimneys molded in as part of its Wall. Lightly sand bottom edge of Chimney backs. Sand or file the smooth sides of Chimney backs and molded-in Chimney fronts so back and front fit tight and are flush. Glue together. When glue is dry, sand tops of Chimneys flat.

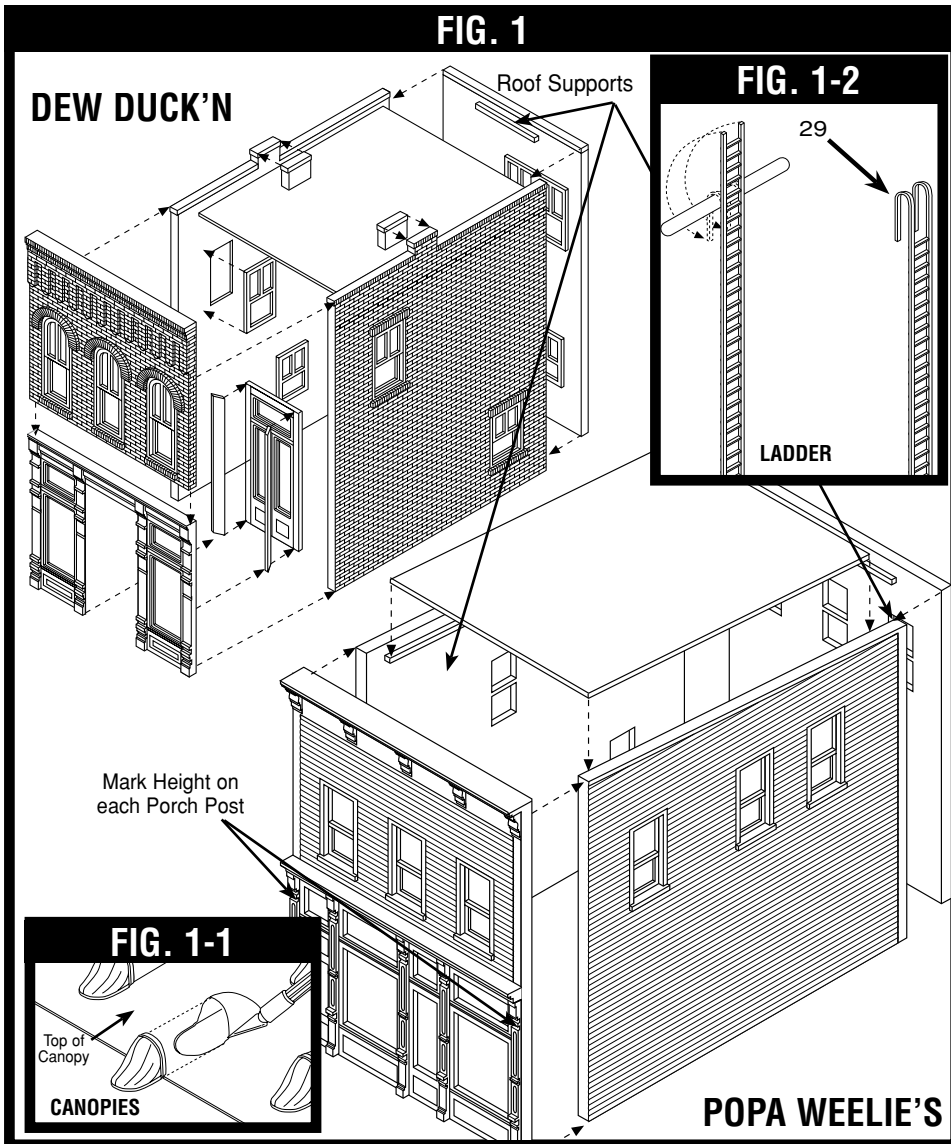
Insert Roof from bottom of building and glue to bottom of Chimneys. Kit includes 0.08" x 0.08" Styrene Plastic Strips to make Roof Supports. Cut Strips approximately one half the width of Walls. From bottom of building, glue Roof Supports on Walls that do not have Chimneys. Center and glue each Strip flush to underside of Roof and inside of Wall where Roof and Wall meet.

Separate Chimney

Popa Weelie's has a separate Chimney. Glue 0.08" x 0.08" Roof Supports to backs of Walls prior to installing Roof. You may wish to have a sloped Roof or a flat Roof. To obtain a sloped Roof on a building with sloped Side Walls, simply measure down 1/8" from the top of each Wall and mark. Glue Strips to inside Walls.

To obtain a flat Roof on a building with sloped Side Walls, measure down 1/8" from the top of the shortest Wall and mark. Then measure up from the bottom, of the same Wall, to the 1/8" mark. That measurement will be used on the three remaining Walls (measuring from the bottom) for Roof Support placement. Glue Supports to inside of Walls. When finished with Roof Assembly, lightly sand bottom edge of Chimney and glue to top of Roof (see Prepare Metal Castings).

BUILDINGS



1. Glue Walls together (Fig. 1). The Back Walls of the buildings will be glued between Side Walls. Front Walls will be glued to outside front of Side Walls (Fig. 1).
2. Cut Clear Window Material slightly larger than window and door frames. Glue Windows and Doors to inside of Walls (Fig. 1).

NOTE: Attach Window Material to back of window frames (Fig. 1) with very small amount of glue placed around outer edges.

PAINT AND CUT CANOPIES

These parts are molded white plastic. Paint Canopies the color of your choice and let them dry.

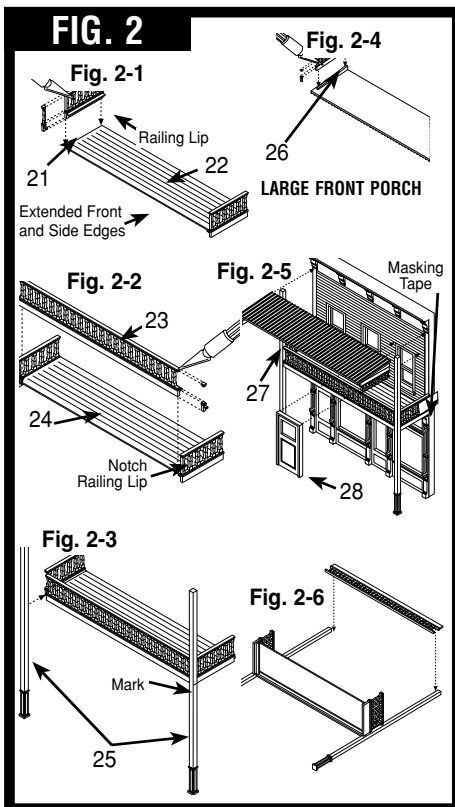
Cut out Canopies

Cut carefully around Canopies using a sharp hobby knife, leaving a small lip next to the part on all edges (Fig. 1-1). Round corners so parts will be easier to sand.

Sand away extra material and smooth edges around the part by moving part back and forth over fine grit sandpaper, turning part or sanding in a different direction if necessary. Touch up paint on edges.

LADDER INSTRUCTIONS

1. To curve the end of the Ladder, bend top 3/8" around a coat hanger to keep rails parallel (Fig. 1-2).
2. Carefully remove top six rungs. File or sand rung marks if necessary.
3. Shorten height of Ladder to match building. See Back View illustration.



FRONT PORCH

1. Measure and cut short Railings to match width of the ends of the Porch Floor (Fig. 2-1).

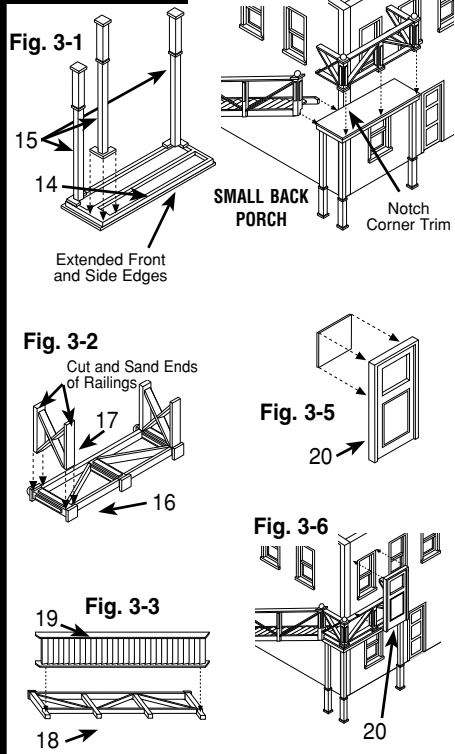
NOTE: Porch Floor has extended edges on front and sides that sit on Railing lip. The back is flat. Glue the short Railings to the left and right sides of the Porch Floor (Fig. 2-1).

2. Cut long Railing to length of Porch Floor. To fit, notch the lip of long Railing on both ends to allow for short Railing lip on each side (Fig. 2-2). Glue long Railing to front of Porch Floor.
3. Hold Porch Posts against front of building. Mark height on each Porch Post even with the top of the horizontal trim that divides upper and lower stories (Fig. 1, Popa Weelie's).
4. Line up marks on Posts with the bottom of left and right Railings. Test fit Porch to building front. Glue Post into place. Set aside (Fig. 2-3).
5. Measure and cut both short decorative Trim pieces to length of side Porch Roof Supports. Lay Porch Roof upside down and glue a short trim piece onto each end (Fig. 2-4).

NOTE: Make sure back edge of Porch Roof is clean and straight where it will adjoin building. The Roof is notched on back edge at each end. Using masking tape to temporarily hold Porch in place, test fit the Porch assembly to the building (Fig. 2-5). Test fit Door over right-hand Window (Fig. 2-5). Sand Door bottom, if necessary.

6. Position Roof Assembly on top of Porch Posts. Back of Porch Roof should set flush beneath top face Trim of building. Bottom of short Trim pieces should be level. If not, trim Post heights to make level (Fig. 2-5).
7. Once proper fit is achieved, lay Porch Assembly face down and test fit long decorative Trim piece between top of Posts. Sand ends of long Trim if needed for proper fit. Glue long trim between tops of Posts (Fig. 2-6).
8. Cut a piece of Clear Window Material to cover Door Window. Glue in place on inside of Door (Fig. 3-5).
9. Paint all pieces of Porch, including Door. When dry, glue Porch Assembly, Door (over right-hand Window) and Porch Roof into position, in sequence.

FIG. 3



BACK PORCH

1. Lay Porch Floor upside down and glue all three Porch Floor Posts to bottom of Floor as shown.
2. Before attaching short Railings, cut and sand ends flush (Fig. 3-2).
3. Lay long Railing flat and glue a short Railing to Corner Post at each end as shown (Fig. 3-2).
4. Lay Staircase Railing flat and attach Staircase to grooves on bottom of the Railings' Posts.
5. Paint Back Porch Assembly, including Back Door.
6. Place Porch against back, left side of building. Extend left side of Porch beyond left edge of building to match width of Staircase. Where the Porch Floor meets the Corner Trim, notch Trim so Porch Floor will fit flush against back of building (Fig. 3-4).
7. Place Staircase Assembly against left side of building, level with top of Porch Floor. Use masking tape to temporarily hold in place (Fig. 3-4).
8. Place the Porch Railing Assembly on Porch Floor with ends of left side against top Staircase post indentations. This will raise bottom Railing off Porch Floor (Fig. 3-4).
9. When satisfied with fit, glue in place.
10. Cut a piece of Clear Window Material to cover Door Window. Glue in place on inside of Door (Fig. 3-5). Glue Door over back Porch Window on the left (Fig. 3-6).

DETAILS INSTRUCTIONS

1. Assemble Metal Castings (Fig. 1-2 through 8). Paint if necessary.
2. Apply Decals as shown on box or as desired.
3. When painted details are dry, place them on layout. See Front and Back View illustrations on back panel and photo on box for suggested placement.

FIG. 4

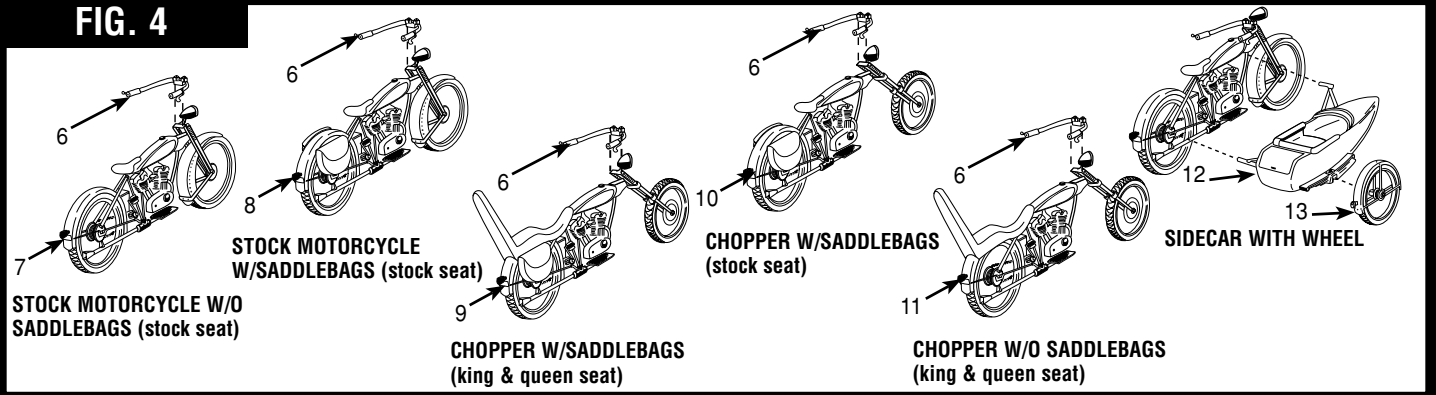


FIG. 5

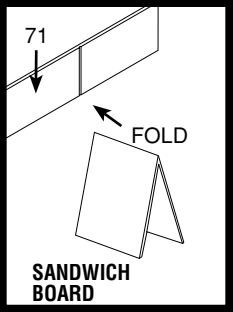


FIG. 6

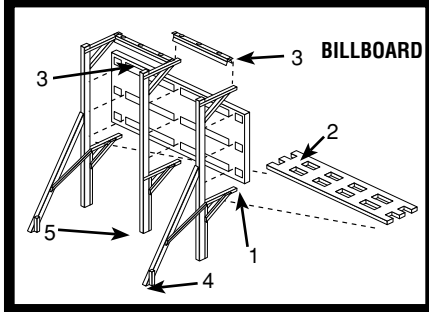
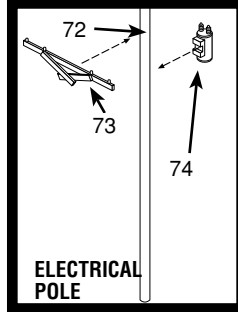
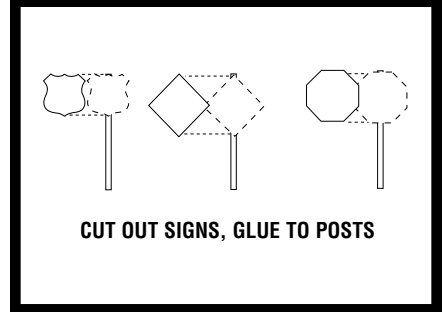


FIG. 7



ROAD SIGNS



DRY TRANSFER DECALS

Before Applying

- Allow freshly-painted models to dry thoroughly.
- Apply to clean, dry, dust-free surface. Dust can prevent transfer of Decal, so keep sheet clean.

Instructions

- Position Decal and rub with burnisher or dull pencil.

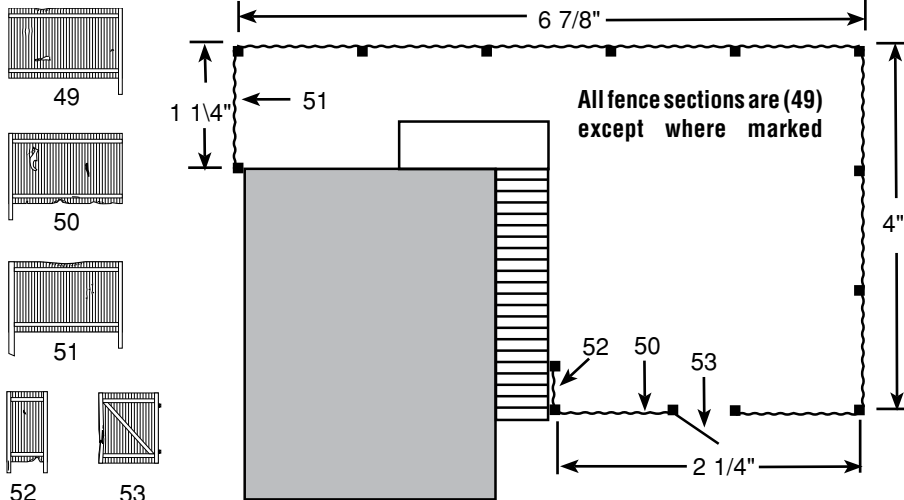
- Hold carrier sheet securely while transferring image.
- If Decal is to be applied in a recessed area, cut carrier sheet to fit within the recessed area.
- Work from one side of the Decal to the other. The image will appear to fade as it transfers.
- Do not apply too much pressure while transferring image.

- Slowly lift the carrier sheet, if the image hasn't transferred completely, let the carrier sheet fall back into place and reburnish.
- For maximum adhesion, place backing paper over Decal and burnish again. This also smooths out small wrinkles and bubbles.

TIP! If Decals are fragmented, they can still be used. This effect adds a realistic, weathered look.

FIG. 8

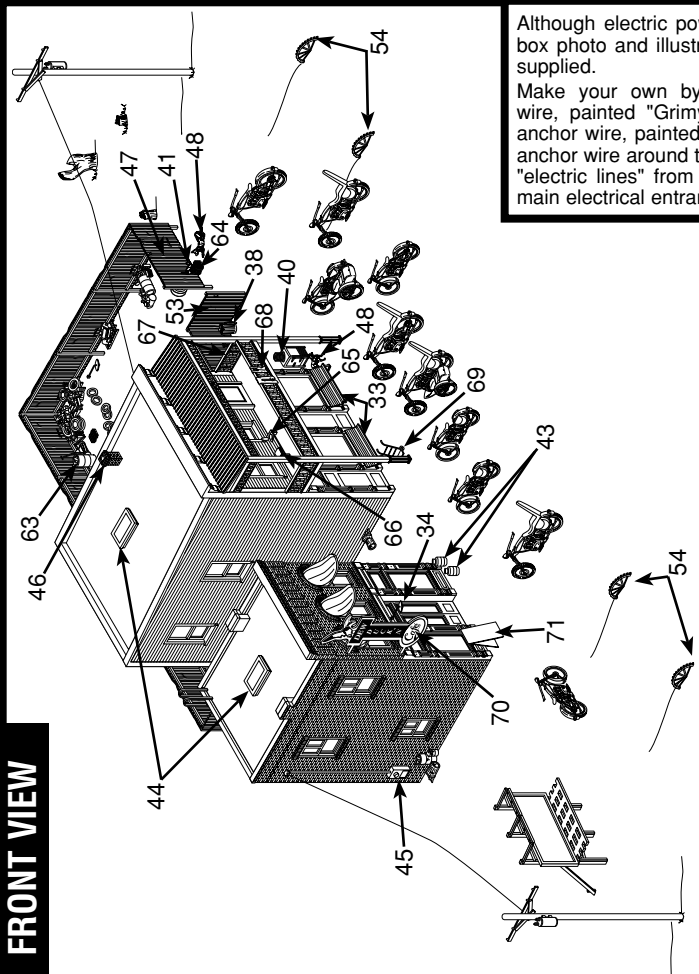
SUGGESTED PLACEMENT FOR CORRUGATED FENCING



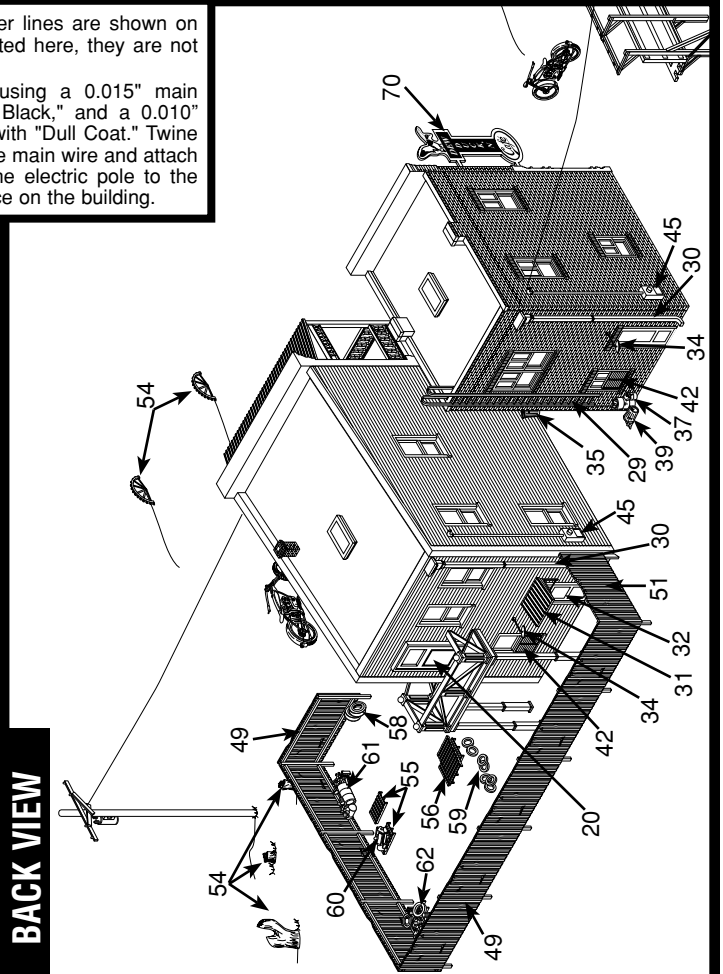
FENCE

All fence sections should be assembled with the horizontal boards facing inward. The fence is designed to be "rickety," so sections do not have to line up exactly. Use illustration (Fig. 8) for guide to draw perimeter fence line on base. Position sections (one at a time) to mark spot for post holes, then drill holes.

OPTION: Cut bottoms of Posts and glue Fence directly to base. Test fit sections by placing the 2-Post Fence section (51) next to the left, back corner of the building (Fig. 8). Work around to front of building. Glue Fence together. Hang Gate on either side of opening. Glue Gate Hinges to Fence Post.



Although electric power lines are shown on box photo and illustrated here, they are not supplied. Make your own by using a 0.015" main wire, painted "Grimy Black," and a 0.010" anchor wire, painted with "Dull Coat." Twine anchor wire around the main wire and attach "electric lines" from the electric pole to the main electrical entrance on the building.



FRONT VIEW

BACK VIEW

LEAD-FREE METAL CASTINGS & PARTS LIST

The following list contains all details included with the #40700 kit. After cutting parts from sprues, sort and organize them. This will make assembly easier.

Part #	Name	Qty	Part #	Name	Qty	Part #	Name	Qty			
BILLBOARD	1	Billboard	1	MISC. DETAILS	29	Ladder	1	MISC. DETAILS	63	Push Mower	1
	2	Catwalk	1		30	Down Spout	2	CONTINUED	64	Crate	1
	3	Light Bar	2		31	Small Awning	1	65	Bench w/Hat & Bottle	1	
	4	Outer Brace	2		32	Angle Brace	2	66	Open Crate	2	
	5	Inner Brace	1		33	Bench	2	67	Shirt	1	
MOTORCYCLES	6	Handlebar	10		34	Building Light	4	68	Trousers	1	
	7	Stock Motorcycle	3		35	Trash Can w/Lid	1	69	Dolly	1	
	8	Stock Motorcycle w/Saddle Bags	3		36	Trash Can Grouping	1	70	Sign for Dew Duck'n	1	
	9	Chopper w/Saddle Bags (king/queen seat)	2		37	Trash Barrel w/Junk on Top	1	71	Sandwich Board	1	
	10	Chopper w/Saddle Bags (stock seat)	1		38	Trash Can w/Lid off	1	72	Electrical Pole	2	
	11	Chopper w/o Saddle Bags (king/queen seat)	1		39	Smashed Trash Can	1	73	Electrical Pole Crossbar	2	
	12	Sidecar	2		40	Ice Machine	1	74	Transformer	2	
	13	Sidecar Wheel	2		41	Bottle Crate	1	ADDITIONAL MATERIALS INCLUDED			
SMALL BACK PORCH	14	Porch Floor	1	42	Louver Vent	2	White Styrene Roof Material - 1 (5 3/8" x 5 1/2")				
	15	Back Porch Post	3	43	Kegs	3	Clear Window Material - 1 (5" x 5")				
	16	Long Railing	1	44	Roof Hatch	2	Black Paper for Interior - 1 (7 3/4" x 4 1/2")				
	17	Short Railing	2	45	Electrical Entrance w/Box	2	White Styrene Strips for Roof Supports - 2 (0.08" x 0.08" x 4 1/2")				
	18	Stair Railing	1	46	Chimney	1	Dry Transfer Decals - 1				
	19	Staircase	1	47	Cat	1	Full-color Poster Sheet - 1				
	20	Door	1	48	Dog	2	Canopies (plastic) - 3				
LARGE FRONT PORCH	21	Short Railing w/Header	2	49	Fence, Right-hand Post	9	Wooden Sticks for Sign Posts - 8				
	22	Front Porch Floor	1	50	Fence, Left-hand Post	1					
	23	Long Railing w/Header	1	51	Fence, Two Posts	1					
	24	Long Decorative Trim w/Facia Board	1	52	Fence, Short Section	1					
	25	Large Porch Post	2	53	Fence, Gate	1					
	26	Short Decorative Trim w/Facia Board	2	54	Tractor Wheel Half	4					
	27	Large Awning (Porch Roof)	1	55	Small Pallet	2					
	28	Door	1	56	Large Pallet	2					
				57	Cut Stump	3					
				58	Large Tractor Tire w/o Rim	2					
			59	Car Tire	5						
			60	Engine Block	1						
			61	Trash Can Junk Pile	1						
			62	Junk Pile on Pallet	1						