

DPM® LANDMARK STRUCTURES® HO SCALE BUILDING KIT



HUMBLE HOME #20600

INSTRUCTIONS

Follow the enclosed HO scale General Instructions for #100 and #200 series kits. The General Instructions will refer to the drawings and instructions included with this kit. Read through all instructions before beginning construction on your kit.

Adhesive: Attach metal parts with cyanoacrylate adhesive (CA glue/super glue). Plastic parts can be attached with plastic cement or cyanoacrylate adhesive.

Painting: Painting can be done either before or after the structure is assembled. If you paint before assembly, scrape paint from glue points before gluing and touch up paint if necessary after assembly. Install Clear Window Material after painting is complete.

Wall Assembly: Work on a flat surface. Use a squaring block to hold walls square while assembling. Butt ends of Walls 206-4 and 206-6 to back of 206-5 (Fig. 1) and glue in place. Glue back of Wall 206-7 to ends of Walls 206-4 and 206-6. Butt back of Wall 206-2 to ends of Walls 206-1 and 206-3. Glue in place. Glue Walls 206-1 and 206-3 in grooves in Wall 206-4.

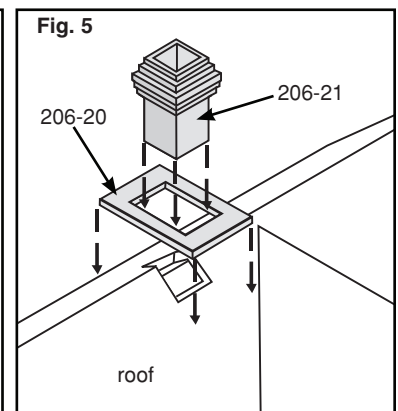
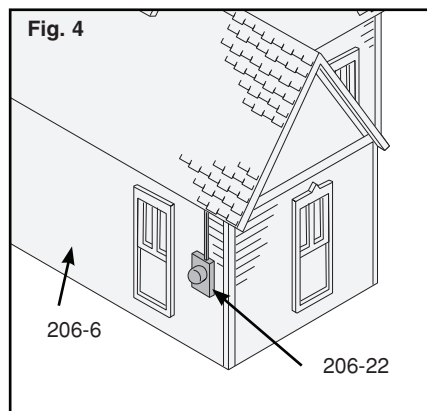
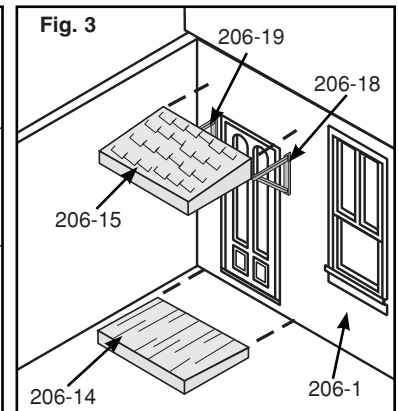
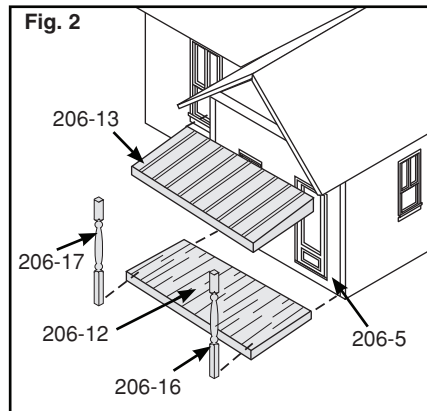
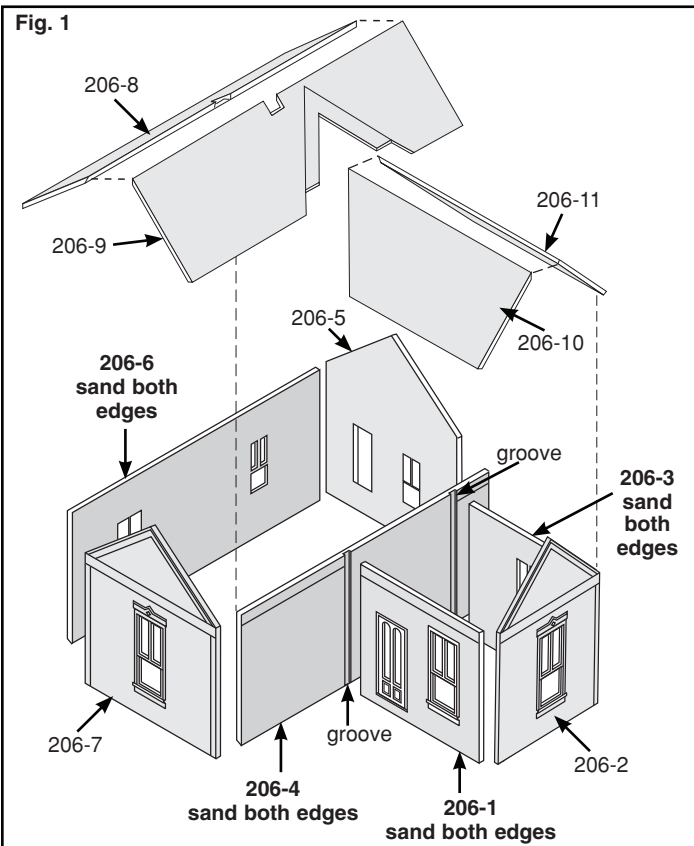
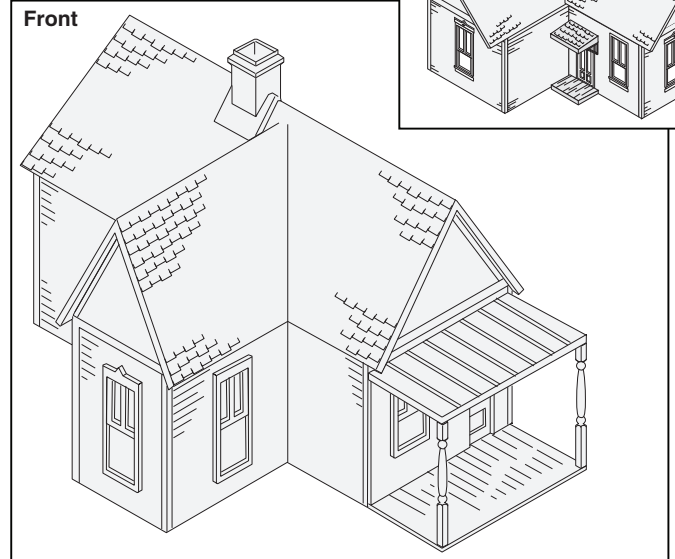
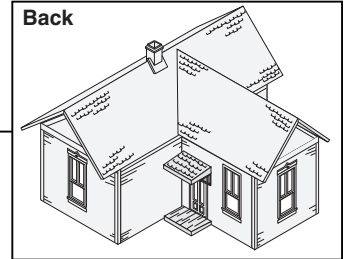
Roof Assembly: Test fit Roof parts on building before gluing. Glue Roof Panels 206-8 and 206-9 together at peak, making certain that they lay evenly on top of house walls (Fig. 1). Glue Roof Panels 206-10 and 206-11 together and test fit in the "V" groove in Roof Panel 206-9. Glue in place. Position Roof on Walls and glue in place.

Front Porch Assembly: Test fit all Porch pieces before installing. Notch or trim pieces as needed to fit flush against building. Bend Porch Posts straight if curved. Glue Front Porch Floor 206-12 to Wall 206-5 flush with bottom edge of Wall. Using Porch Posts 206-16 and 206-17 as a height guide, glue Front Porch Roof 206-13 to Wall 206-5. Glue Porch Posts 206-16 and 206-17 on the corners of the porch as shown (Fig. 2).

Back Porch Assembly: Glue Back Porch Floor 206-14 to Wall 206-1 (Fig. 3). Glue Back Porch Brackets 206-18 and 206-19 to Wall 206-1, aligning Brackets vertically with the door trim and slightly above the top of the door frame. Align Back Porch Roof 206-15 with Brackets and glue in place.

Install Electric Meter: Trim Electric Meter 206-22 wire conduit to fit as needed. Glue Electric Meter 206-22 to Wall 206-6 (Fig. 4).

Install Chimney: Insert Chimney 206-21 in Skirt 206-20. Position Chimney (with Skirt) in chimney opening. Bend Skirt down to fit flush with peak in Roof. If needed, file inside of Skirt until Skirt fits flush over peak of Roof and Chimney sits level in chimney opening. Glue Chimney and Skirt in place on Roof (Fig. 5).



Create interest on your layout. Add lights to your buildings quickly and easily using the Woodland Scenics® Just Plug® Lighting System.

CAUTION: Cutting tools recommended. Use with care.

MODELING AND CARE INFORMATION This kit suggests the use of materials that may stain or cause damage. Take care to cover project area and clothing appropriately. Follow recommendations for use and cleanup.

Model making product. Not a toy! Not suitable for children under 14 years! / Produit pour le modélisme. Pas un jouet! Pas adapté aux enfants de moins de 14 ans! / Producto para modelismo. No es un juguete! No adecuado para niños menores de 14 años! / Modellbauartikel. Kein Spielzeug! Nicht geeignet für Kinder unter 14!

Model making product. Not a toy! Not suitable for children under 14 years! / Produit pour le modélisme. Pas un jouet! Pas adapté aux enfants de moins de 14 ans! / Producto para modelismo. No es un juguete! No adecuado para niños menores de 14 años! / Modellbauartikel. Kein Spielzeug! Nicht geeignet für Kinder unter 14!



MODELING AND CARE INFORMATION: This kit suggests the use of materials that may stain or cause damage. Take care to cover project area and clothing appropriately. Follow recommendations for use and cleanup.



CAUTION: Cutting tools recommended. Use with care. **ACHTUNG:** Schneidwerkzeuge empfohlen. Mit Vorsicht benutzen.

Modeling Supplies Needed: Hobby Knife, Plastic Cement, 120-grit Sandpaper, Primer, Model Paints (acrylic or enamel), Painting Tools, Rubber Bands, Scissors, Ruler, Black Construction Paper, Squaring Block, Roof and Trim Kit (#30190), Dry Transfer Decals.

General Instructions

DPM® #100 and #200 Series HO Scale Kits

Read through instructions before beginning. Check kit contents. Collect additional needed supplies. Cover project area with newspaper. The General Instructions are the basic building techniques used to construct HO DPM Building Kits. Refer to individual Kit Instructions located on back of full-color package insert for part numbers and placement and information specific to your kit.

How to Attach Parts

Use plastic cement to glue parts. Plastic cement works by dissolving the surface of plastic and welding parts together. Be careful to avoid contact with detail on parts and visible areas on Clear Window Material. Always allow glue to set thoroughly before moving on to next construction step.

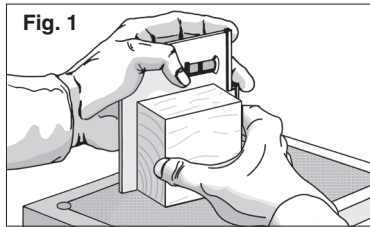
Remove Tabs and Flash

Wash parts in warm, soapy water using a mild detergent. Rinse and let dry. Use a hobby knife and sandpaper to remove excess plastic (tabs and flash) that occurred during the molding process. **Tabs:** Score (flush with part), snap off and sand smooth. **Flash:** Lightly scrape along edges to remove debris and sand smooth. Face the cutting edge of blade opposite the direction you scrape as to not cut into the part. **Sprue:** If kit has parts on a sprue, remove by scoring with a hobby knife (flush with part) and snapping off. Sand any parting lines and mold flash. Keep parts on sprue until ready to use.

Prepare Walls

Due to the molding process, some walls have beveled edges. Beveled edges need to be removed for walls to set flush and square. Sand beveled edges with 100-grit sandpaper. Kit Instructions (located on back of full-color package insert) specify which wall edges to sand. Do NOT sand edges that have detailed brickwork, unless specified. To avoid rounded edges, sand wall on a flat surface, applying even pressure.

TIP! Tack sandpaper to a flat surface, and use a "squaring block" with a 90° angle. Hold squaring block in place while sanding walls. Do not sand into detail (Fig. 1).



Assemble Building

Refer to the exploded view shown on Kit Instructions for wall placement and building assembly. Begin by gluing two walls together to form a corner (example: Front Wall [1] to Right Side Wall [2]). Apply glue along the undetailed (sanded) wall edge, attaching it to the backside of detailed wall. Detail should remain visible. A squaring block is helpful for assembly. Try to line-up brickwork on adjacent walls, while keeping bottoms as level as possible. Allow glue to set before attaching next wall. Glue remaining walls together in this same manner.

TIP: Once building is assembled, use rubber bands to hold in place until set.

Entry Doors

Refer to Kit Instructions for specifics on Entry Doors.

Styles of Entry Doors differ and include: Molded as part of Front Wall, Corner Entry Door and Recessed Entry Door with Side Panels.

Types of Side Panels include: Molded Side Panels or styrene Side Panel Material*.

*To make entry door side panels with styrene Side Panel Material, cut styrene strips approx. 1/4" wide and equal with height of Entry Door. Mark height on styrene strip, score with a hobby knife and snap off. Glue to Entry Door at a slight outward angle. Check fit with Front Wall (1) while glue is flexible. Glue Entry Door assembly to Front Wall (1).

Option: Some Recessed Entry Doors can be glued flush with Front Wall. See individual kit for specifications.

Prepare Chimney or Install Chimney Backs

Refer to the Kit Instructions for information on Chimney type and proper assembly.

Molded Chimney: Glue Chimney Back(s) to molded Chimney Front(s).

One-Piece Chimney: Sand Chimney Halves smooth so they fit flush, and glue together. When dry, sand top and bottom level, if necessary.

Prepare Roof

Refer to the Kit Instructions for any special directions on Roof installation.

If no special instructions are given, proceed as follows. Measure the inside dimension of roof opening(s). Transfer measurements to a piece of cardstock, cardboard, etc., cut out and test fit on building. Make adjustments as needed. Once you have achieved a good fit, transfer dimensions to Styrene Plastic Sheet (white roofing sheet). Cut out using a hobby knife and a ruler. Test fit and make any adjustments. Paint Roof flat black, if desired. Glue in place according to your Chimney type (see below).

Install Roof

The Roof will be installed according to Chimney type.

Molded Chimney with Chimney Back:

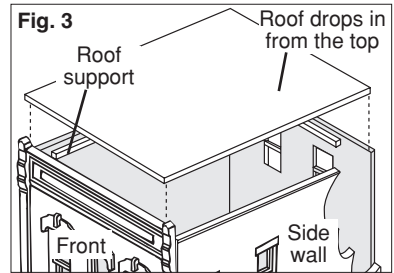
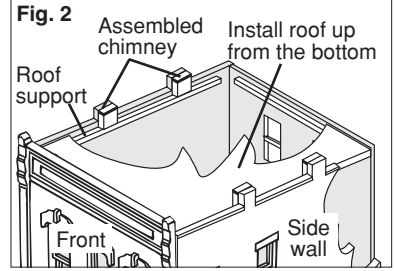
Insert the Roof from the underside of building, gluing it to the bottom of the chimney back(s). Using the included Roof Support Material, cut support strips. Supports should be shorter than the width of the walls. Glue Supports to set flush on each wall and underside of Roof (where Roof and Wall meet). (Fig. 2)

One-Piece Chimney:

Using the included Roof Support Material, cut roof supports. Supports should be shorter than the width of walls. Glue Supports so they are even with the Supports on other walls. If the walls are different heights, be sure the Roof sets below the top of the lowest wall. Generally, the Roof Supports should be glued about 1/8" below the top of the lowest wall. Glue the Roof to the top of Roof Supports. (Fig. 3)

Install One-Piece Chimney (if applicable)

Glue assembled Chimney to top of Roof in desired location.



Leveling

After assembled building is set and glue is completely dry, carefully sand bottom of building until level. On thumbtacked piece of 120-grit sandpaper, carefully sand bottom of building in a circular motion to level bottom edges so it will sit level on layout. Do not sand brick detail.

Paint Building and Details

Apply a thin coat of primer before painting and let dry.

Option 1 - Airbrush: Use solvent-based, flat finish enamel paint.

Option 2 - Hand-brush: Use water-soluble, flat finish acrylic paint.

Option 3 - Aerosol: Use flat finish spray paint.

We recommend natural brick colors such as rust, tan or other earth tones. Paint door and window trim the same color as the brick or a contrasting color.

Weathering Techniques

Add a realistic mortar-look to brickwork by painting on a concrete mortar wash (formula follows). Using a paintbrush, dab on small amounts of wash until desired look is achieved. Sponge off excess.

Formula: Mix 1-part acrylic paint (color suggestions: concrete or aged concrete), 12-parts rubbing alcohol, 8-parts water and 1 drop liquid dish soap.

Airbrush: Lightly spray thinned flat black paint (color suggestion: grimy black) to areas where natural discoloration can occur (near windows, chimneys, etc.).

Chalk: Rub a dark color of pastel chalk (color suggestions: gray, black, brown, etc.) on sandpaper to create a chalk dust. Using a paintbrush, dab chalk dust where discoloration can occur.

Install Windows

Cut Clear Window Material (clear styrene) to size to fit over an entire area of window openings at one time. Center Window Material over windows on inside of building and carefully dab a small amount of glue around edges. Repeat for each set of window openings.

Finishing Touches

Give your building the illusion of being occupied. Place a piece of black construction paper diagonally from corner-to-corner inside the building to block the light.

Detail the Roof by adding vents and hatches from the Roof and Trim Kit (#30190).

Enhance your building with Dry Transfer Decals for windows and wall signs.

Create interest on your layout. Add lights to your buildings quickly and easily using the Woodland Scenics® Just Plug® Lighting System.

We make every effort to ensure our kits are manufactured complete. However, if this kit is missing a part, please make note of the kit's item number and missing part, and contact the Woodland Scenics Sales and Customer Service Department at PO Box 98, Linn Creek, MO 65052, 573-346-5555 or sales@woodlandscenics.com.

XINSTHO M7 ©1993 O CO