

## Caboose & Sand Facility

TS152

### INTRODUCTION

(read entire instructions before starting)

Trackside Scenes, a series of highly-detailed and imaginative kits specifically designed to be easy to assemble. Please read all the instructions through carefully before starting. Should you find any defective pieces, simply return defective part to Woodland Scenics for a replacement.

### APPLICATION OF DRY TRANSFERS

With Dry Transfer Decals the colored areas of sign actually transfer from transfer sheet to model, and sheet is discarded.

Apply only to clean dry dust free surface. Be careful to keep Dry Transfer sheet clean and free of dust. See photo on box label for decal location.

To transfer signs to model, remove backing sheet and position sign in area desired. NOTE: If sign is to be applied in a recessed area, cut the sign to fit in the recessed area. Rub over sign with a dull, soft lead pencil (sharp lead can tear paper), being careful not to move transfer sheet while rubbing. Be sure to cover all areas and fine lines. Remove transfer sheet by carefully lifting from corner. For maximum adhesion, place backing sheet over signs and rub again with pencil. When applying Dry Transfer to a raised or rough area be sure to press sign into cracks and corners. Plan ahead. It is often easier to apply Dry Transfers prior to assembly.

### KIT COMPONENTS

Instruction	Over 70 Castings Including:
Transfer Decals	Caboose Supply Assembly
10 Wooden Ties	Sand Bin Assembly
Tubing	Sanding Tower Assembly
2 Pieces Wire	Tool Shed
Foliage	Oil Drums
2 Colors Turf	Light
Ballast	Workman
Sand	Pallets
	Stove
	Tool Box
	Assorted Junk Piles
	Junked Items

### GENERAL INSTRUCTIONS

- Clean and fit castings. The castings in this kit will have some parting lines, flash and stems that should be removed. They can be scraped off with a knife, filed off, or sanded. If castings don't align properly, fit them by removing metal with knife or file, as required. Except for trees, the metal castings are somewhat brittle and should be handled carefully. If castings are bent or warped, straighten by placing on flat table and pushing down in high areas. All castings should be washed in soapy water and rinsed prior to gluing or painting.
- Gluing of castings. Castings can be glued together with white glue, fast setting epoxy or a cyanoacrylate such as "super glue". (We prefer "super glue" because it is faster setting.)
- Paint castings. We recommend that you finish your kit with Woodland Scenics Mini-Scenes Paint Set (M125). Our paint set includes detailed instructions on painting and weathering. Other high quality flat hobby paints will work. Plan ahead. It is often easier to pre-paint certain castings. If you pre-paint castings, scrape paint from glue points prior to assembly.

### APPLICATION OF BASE TURF AND BALLAST

- Locate exact position desired for model on your layout or mounting board. If area is glossy or slick, lightly sand. If it is covered by grass mat, remove mat and lightly sand exposed area.
- Spray entire area with Scenic Cement (S191). Sprinkle turf or Ballast onto wet glue until completely covered. Allow to dry.
- Brush with a soft brush or gently blow excess turf material onto a piece of paper and save.
- Blend or mix colors of turf until it looks natural, (one area of only one color seldom occurs in nature). If additional blending is needed, spray with Scenic Cement and apply more turf. Make sure to blend turf or Ballast from this kit with surrounding areas of existing scenes. Feather or blend all edges together with edges of existing layout.
- If you do get too much of one color in any particular area, use "spray" technique as mentioned in number 4. Also, it may be desired to leave some areas "bald" (with "dirt" showing) to show wear or activity.
- When desired coloration is accomplished, further secure by lightly spraying surface of entire area as in step 4.

### A COMPLETE LANDSCAPE SYSTEM

A system that allows virtually any size or species of tree, bush, ground cover, grass, soil or weed - a system that is specially designed to work within itself - means no longer do you have to search for compatible landscaping material. Woodland Scenics offers a complete system!

### WOODLAND SCENICS BUYER'S GUIDE

A fully illustrated booklet with color samples and illustrated examples of the most versatile landscape system available. Ask your local hobby shop for Woodland Scenics Buyer's Guide and see the entire line of Woodland Scenics products. If not available, send \$1.85 for current Buyer's Guide.

### SCENERY MANUAL

The *Scenery Manual* has various tips, techniques, ideas and instructions for using more than 600 products. Anyone can make model scenery and this manual will tell you and show you how.

*To Learn more tips and techniques, using Woodland Scenics products read The Scenery Manual (C1207), or visit our Web site at [www.woodlandscenics.com](http://www.woodlandscenics.com).*

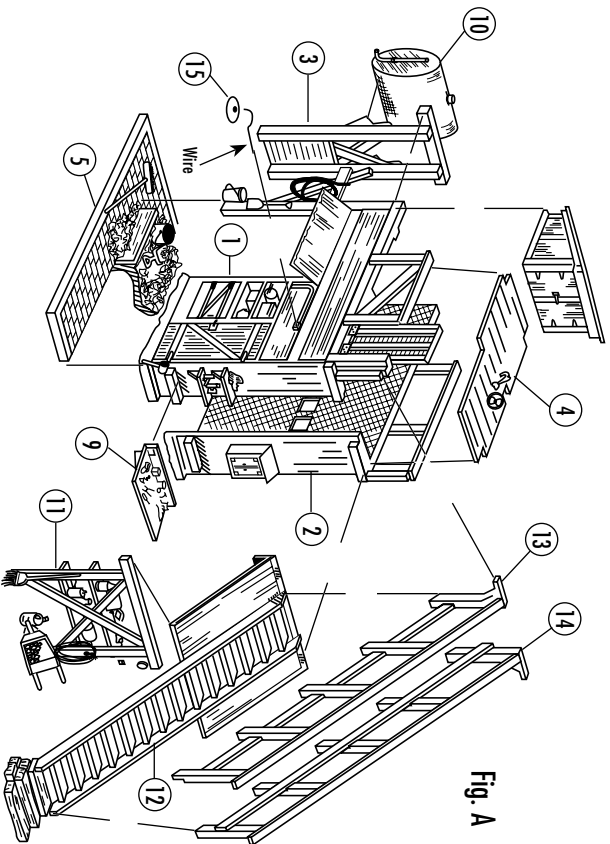
### WOODLAND SCENICS®

P.O. Box 98 • Linn Creek, MO 65052  
Phone 573-346-5555 • Fax 573-346-3768  
[www.woodlandscenics.com](http://www.woodlandscenics.com)

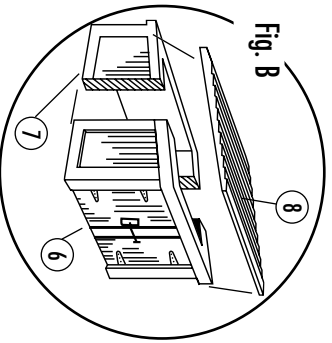
## INSTRUCTION SEQUENCE

### CABOOSE SUPPLY FIG. A - D

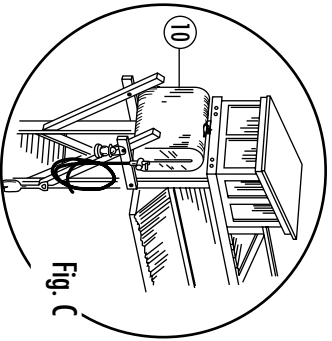
1. Clean and fit castings.
2. Hold Parts 1 thru 4 together and glue.
3. Glue assembly to Part 5. **NOTE:** Place Part 5 on level surface to insure stability.
4. Assemble and glue Parts 6 thru 8 in numerical sequence. **Fig. B.** **NOTE:** Check shingle direction.
5. Glue assembly 6 thru 8 to assembly (1 thru 5) as shown in **Fig. A.**
6. Glue Parts 9 and 10 to assembly in locations as shown. Make sure tank, Part 10, nozzle fits directly over hose. **Fig. C.**
7. Place assembly on flat surface, glue stairs (Part 12) to end of assembly as shown in **Fig. A** and **D.** Allow to dry.
8. Glue Parts 11, 13 and 14 to stairs in numerical sequence. **NOTE:** See **Fig. D** for detail of hand rail attachment, Parts 13 and 14.
9. Make wire bracket and glue to light shade (Part 15). Allow to dry.
10. Glue bracket (with shade) to junction box on Part 1.



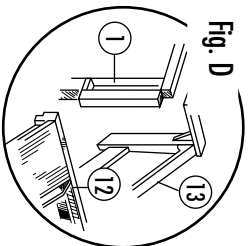
**Fig. A**



**Fig. B**



**Fig. C**



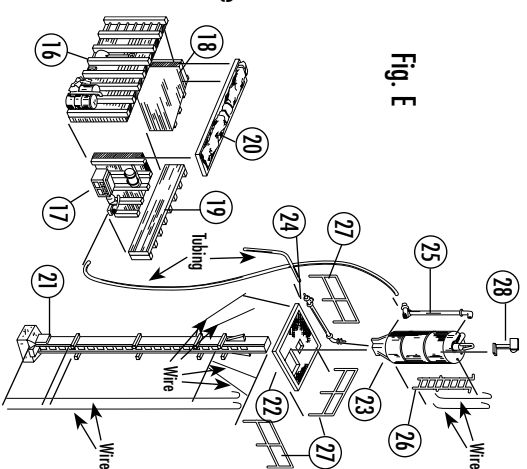
**Fig. D**

### SAND BIN AND SANDING TOWER FIG. E

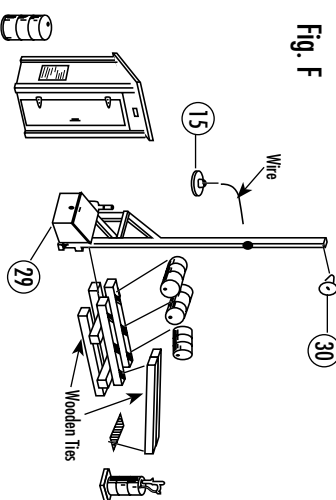
1. Clean and fit castings.
2. Glue Parts 16 thru 20 together in numerical order.
3. Thread Part 21 thru small opening in center of Part 22 until it stops on braces of Part 21. Glue.
4. Glue Parts 25 and 26 to tank (Part 23) in position shown.
5. Glue tank assembly (Part 23) to top of Part 21. **NOTE:** Ladder on tank should be to the right of ladder on tower.
6. Make a discharge hose from 1 1/4 inch length tubing and glue to Part 24. **NOTE:** By pushing a section of wire into tube, tube will hold desired shape.
7. Glue discharge hose assembly (Part 24) to hole in underside of tank and glue wire to wench motor on top of tank and to fitting on top of discharge hose. **NOTE:** Fitting is located at junction of tube and Part 24.
8. Glue floodlight, Part 28, to top of tank, Part 22.
9. Glue (3) Parts 27 to outside edge of platform, Part 22.
10. Make four platform supports from four one-inch lengths of wire. Glue to four corners of platform and four corners of cross bar on tower as shown. **NOTE:** Use cross bars second from top.
11. Make four hand rails from wire, two approximately 3 1/4" long and two approximately 1 3/4" long. Bend wire as shown in **Fig. E.** Attach long wires to both sides of the tower ladder. Attach short wires to both sides tank ladder.
12. After locating and gluing tower and bin in scene, glue tubing (approximately 4 1/2" long) to designated connections on Part 16 of bin assembly and Part 25 of tower and tank assembly.
13. Fill bin with sand and distribute spilled sand in appropriate area.

### LIGHT POST AND TOOL FACILITY FIG. F

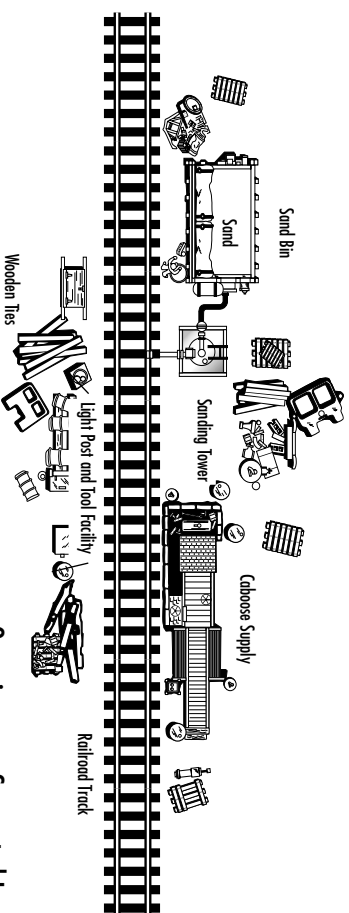
1. Glue Part 30 to Part 29.
2. Make wire bracket and glue to light shade, Part 15, and allow to dry.
3. Glue bracket (with shade) to junction box on post of Part 29, allow to dry.
4. Tool shed and barrels may be placed as in **Fig. F** and suggested layout.



**Fig. E**



**Fig. F**



Overview

Suggested Layout