
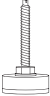






Instructions for ST4790 STRAIGHT MODULE KIT STAND

MATERIALS LIST

HARDWARE

- 32 pc. - 1 1/2" Drywall Screws 
- 4 pc. - Adjustable feet 
- 4 pc. - T-Nut 
- 2 pc. - 3" Bolt 
- 2 pc. - Hex Nut 
- 4 pc. - Washer 

FRAME PIECES

3 3/8" x 3/4" MDF

B = 4 pc. - 16 1/2" long



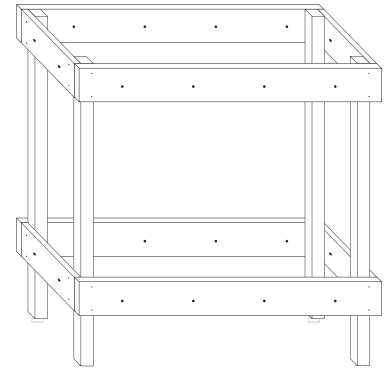
C = 4 pc. - 36" long



LEGS

1 1/2" x 1 1/2" PINE

A = 4 pc. - 35 1/2" tall



All the frame pieces and leg bottoms have predrilled holes. Make sure the holes on the frame pieces are facing you when you assemble the stand and the tops are flush. A screw gun is recommended when assembling. **NOTE:** Use clamps, if available, to hold in place.

STEP 1. Pound the T-Nuts into the holes on the bottom of each leg (Fig. 1).

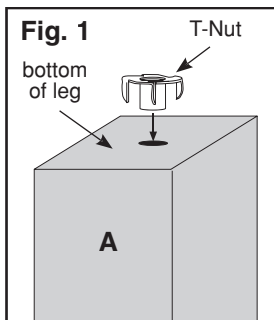


Fig. 2

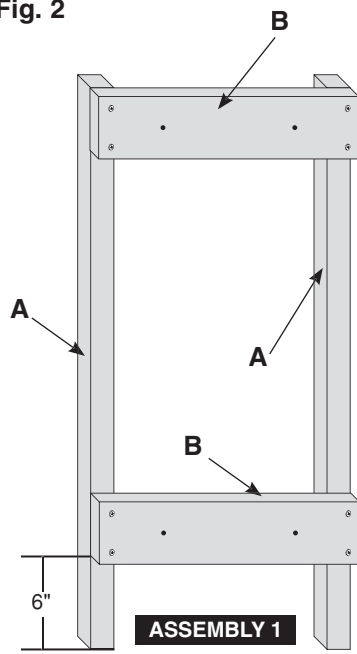
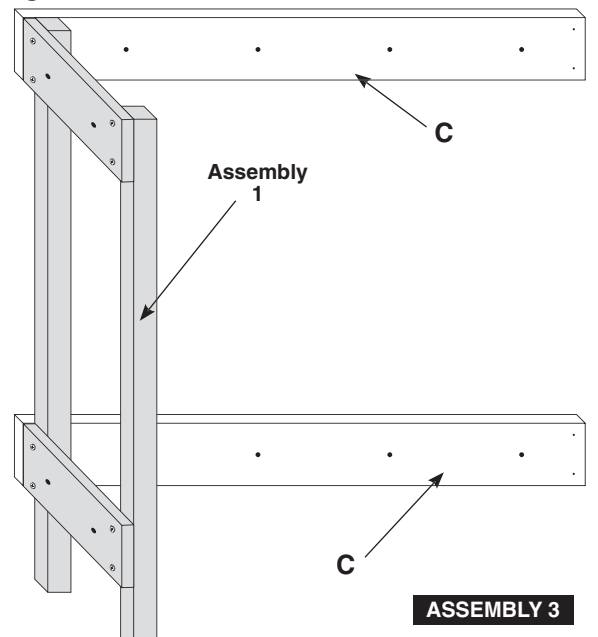


Fig. 3



STEP 2. Assemble **Assembly 1** (Fig. 2).

STEP 3. Attach **Assembly 1** with frame pieces "C" to create **Assembly 3** (Fig. 3).

STEP 4. Assemble **Assembly 2** (Fig. 4).

NOTE: **Assemblies 1 and 2** are identical.

STEP 5. Attach **Assembly 2** with frame pieces "C" to create **Assembly 4** (Fig. 5).

NOTE: **Assemblies 3 and 4** are identical.

Fig. 4

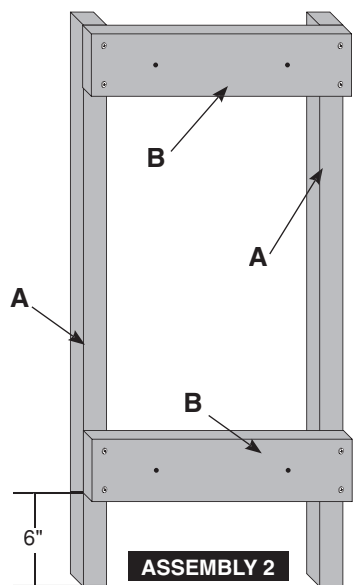


Fig. 5

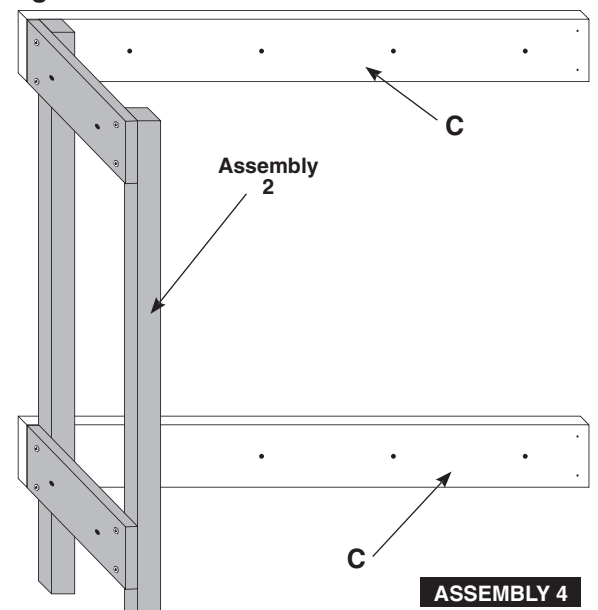


Fig. 6

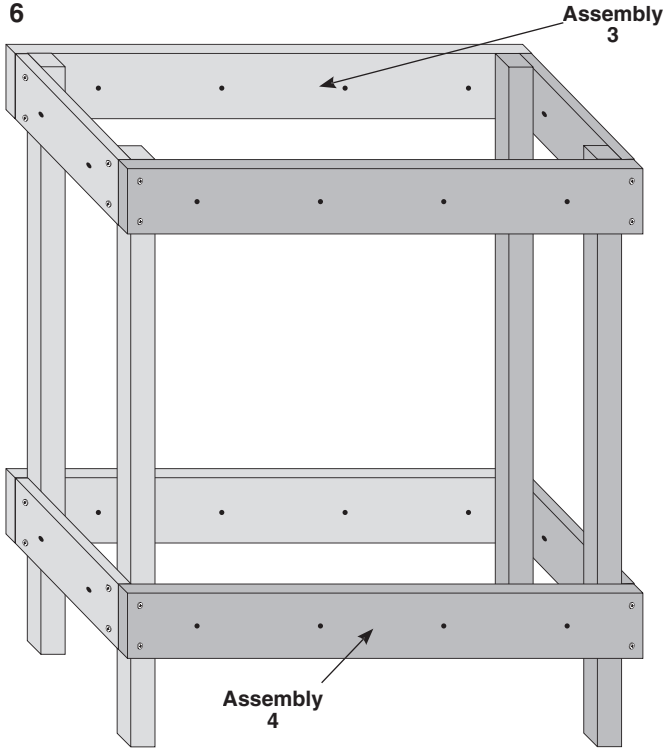


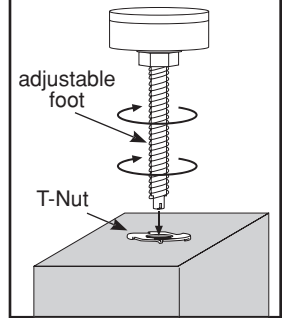
Fig. 6
Top View



STEP 6. Attach **Assemblies 3** and **4** (Fig. 6).

STEP 7. Turn the stand over and screw the feet all the way into the T-Nuts (Fig. 7). Flip the stand upright.

Fig. 7



STEP 8. Bolt the stands together with 3" bolts, hex nuts and washers (Fig. 8 and Fig. 9). Position against wall. Make stands level by setting a level on top of the stands at different locations. Adjust the stand's feet accordingly. Cut four squares from scrap foam (approx. 2" x 2"). Glue scrap foam on the underside of the module while it is centered on the stand. This will prevent the module from moving around (Fig. 10).

Fig. 8

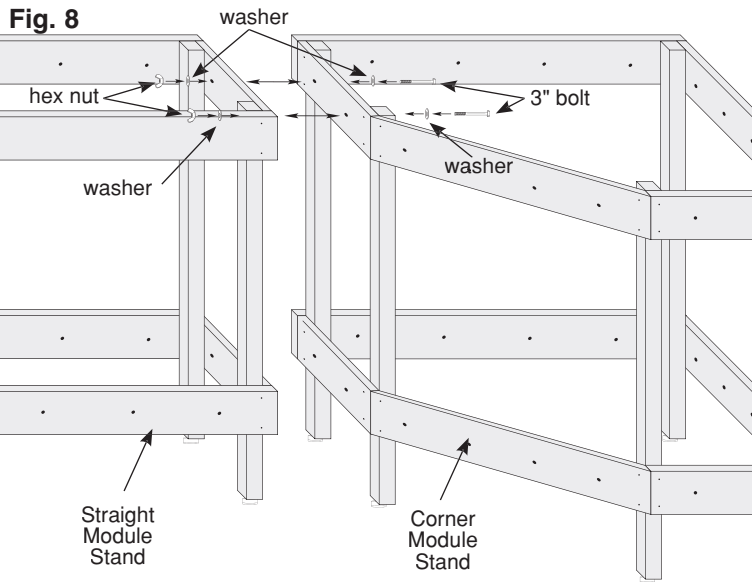


Fig. 9

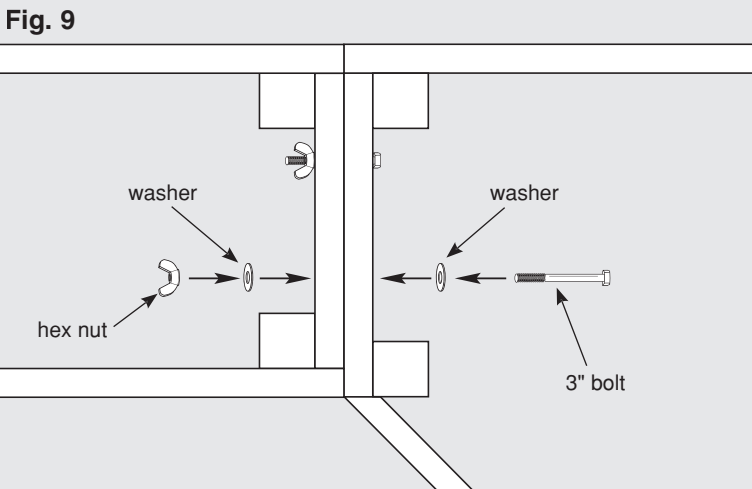


Fig. 10

