

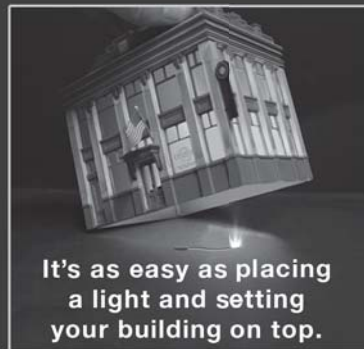
Look for these other N scale Landmark Structures Building Kits at your local hobby shop.

- PF5200 Fresh Market
- PF5201 Planters Feed and Seed Supply
- PF5202 Main Street Mercantile
- PF5203 Sonny's Super Service
- PF5204 Sicken Tire Company
- PF5205 O'Leary Dairy Distribution
- PF5206 Country Cottage
- PF5207 Woodland Station
- PF5208 D's Diner
- PF5210 J.W. Cobbler
- PF5212 Fire Station N° 3
- PF5213 Windmills
- PF5214 Davenport Department Store



Just Plug® LIGHTING SYSTEM

The Just Plug Lighting System is a complete, quick and easy way to add realism to new and existing layouts and other projects. No electrical knowledge or special tools are needed. Just plug and you're done! Individual bulb brightness can be controlled, and special window film eliminates the need for building interiors. The modular design allows for easy expansion, and Just Plug works for all scales.



It's as easy as placing
a light and setting
your building on top.

LANDMARK STRUCTURES®

N SCALE
1:160
BUILDING KIT

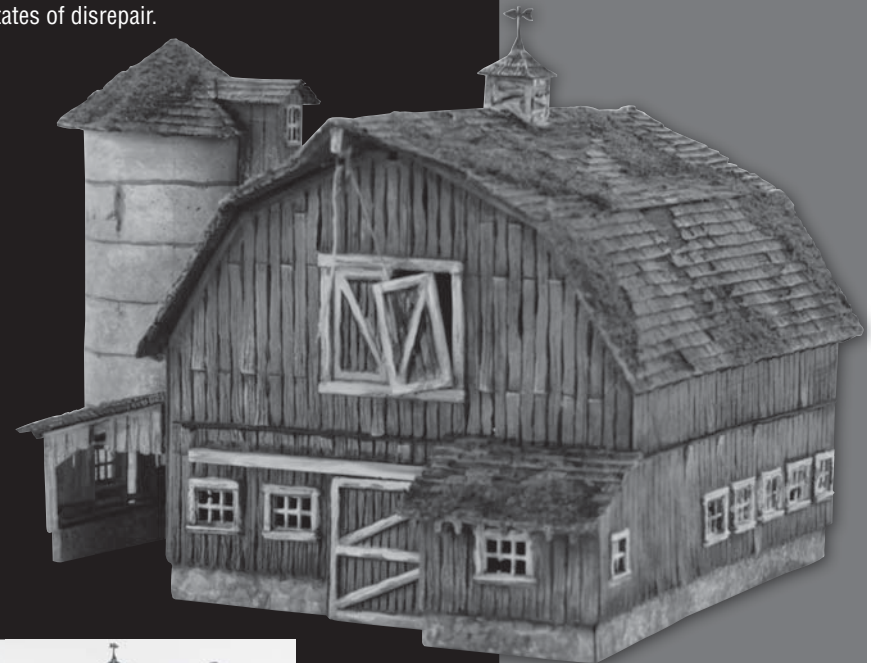
RUSTIC BARN PF5211

Model a stunning representation of a traditional gambrel barn with a concrete silo. Although this iconic beauty has seen better days, it will add charm and character to any layout. Details include field stone foundation, shake shingled roof, hayloft door with pulley and rope, a vintage weather vane atop a slatted cupola, concrete grain silo, implement shed, intricately styled paned windows and traditional barn doors in various states of disrepair.

MODELING AND CARE INFORMATION

This kit suggests the use of materials that may stain or cause damage. Take care to cover project area and clothing appropriately. Follow recommendations for use and cleanup.

CAUTION: Cutting tools recommended. Use with care.



We make every effort to ensure our kits are manufactured complete. However, if this kit is missing a part, please make note of the kit name, number and missing part. Contact the Sales and Customer Service Department at PO Box 98, Linn Creek, MO 65052, 573-346-5555 or sales@woodlandscenics.com.



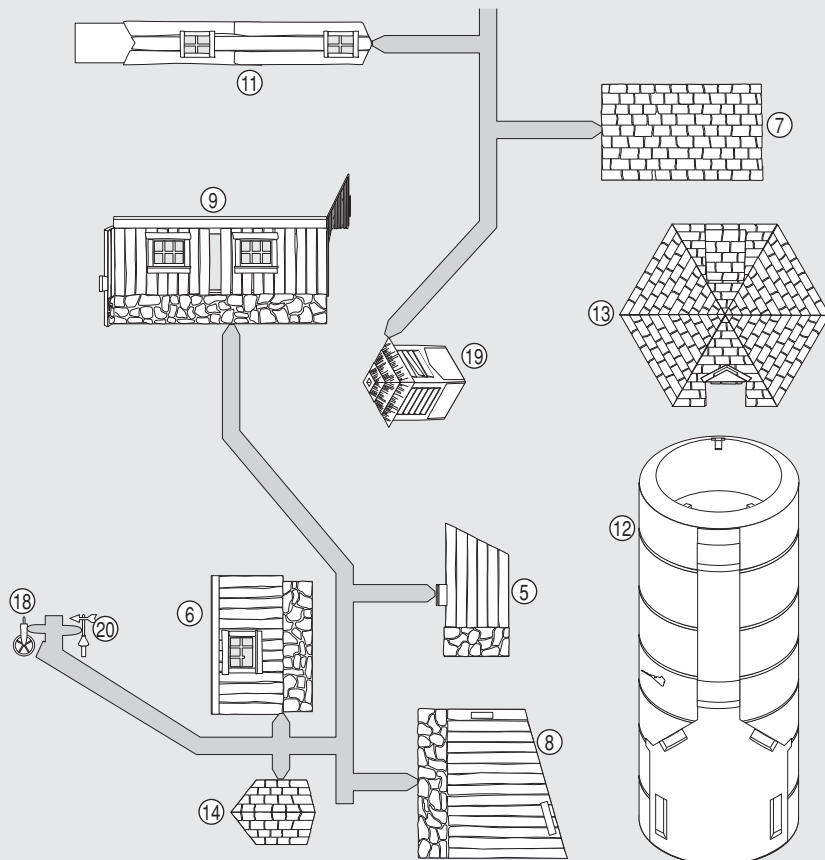
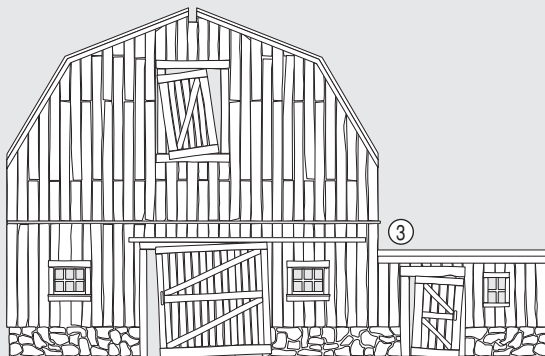
WOODLAND SCENICS®

XPF5211INST K5 ©2014 O CO

RUSTIC BARN

Building Kit Contents

- Wall and Roof Sections
- Sprues with Details
- Silo
- Clear Window Material
- String (to model rope)
- Turf for Roof
- Blackout Paper



6. Add Turf to Roof

Use Scenic Cement or diluted white glue (diluted 1:1 with water) to attach Turf.

- Brush adhesive onto Roof where Turf is desired (**Fig. 9a**).
- Sprinkle on desired amount of Turf and press into adhesive. Let dry thoroughly.

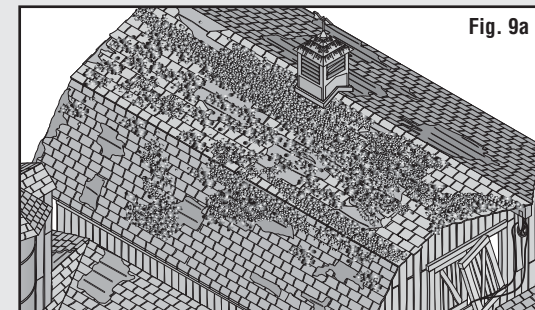


Fig. 9a

7. Blackout Paper

Give your structure the illusion of being occupied.

- Cut two strips of Blackout Paper, each measuring $3 \frac{5}{8}$ in L x 1 in W. Place the two strips on top of each other and cut a notch halfway up (**Fig. 10a**). Assemble as shown (**Fig. 10b**).
- Cut one strip $2 \frac{1}{8}$ in L x $\frac{5}{8}$ in W.
- Cut one strip $\frac{13}{16}$ in L x $\frac{1}{2}$ in W.
- Insert strips into building (**Fig. 10c**). If needed, add a drop of glue at the corner of each strip to hold in place.

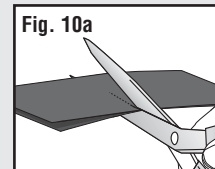


Fig. 10a

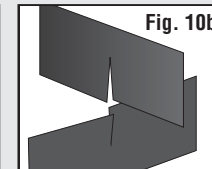


Fig. 10b

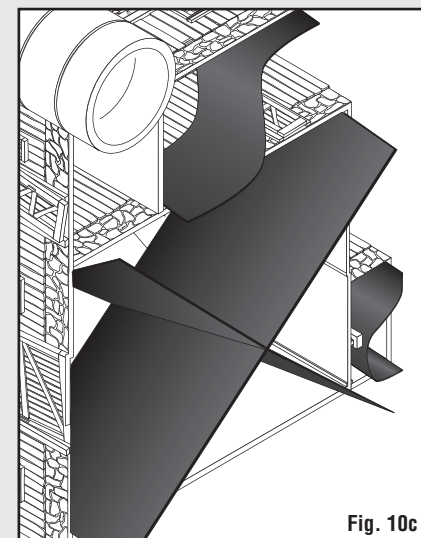


Fig. 10c

Tips and Techniques

Lighting

To reduce glare and light bleed when lighting structure (lights not included), paint interior walls and underside of roof black or use the Just Plug® Light Block Kit (JP5716).

Painting Tips

Airbrush or Hand-brush Use enamel (solvent-based) or acrylic (water-soluble) flat finish paint.

Aerosol Use flat finish spray paint.

Weathering Techniques

Weathering Wash Using a paintbrush, dab on small amounts of Weathering Wash (formula follows) until desired look is achieved. Sponge off excess.

Formula: Mix 1-part acrylic paint (color suggestion: earth-tone), 12-parts rubbing alcohol, 8-parts water and 1 drop liquid dish soap.

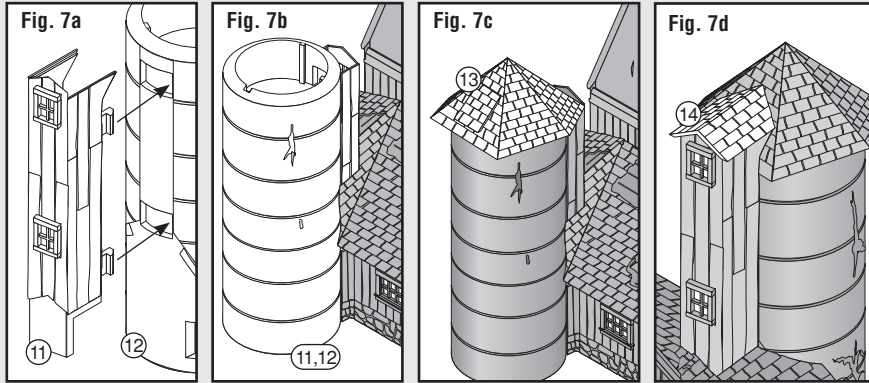
Airbrush Spray thinned flat black paint lightly onto select areas (color suggestion: grimy black). Add more where discoloration occurs naturally (near windows, roof details, etc.).

Chalk Rub a dark color of pastel chalk on sandpaper to create chalk dust (color suggestion: gray, black, brown, etc.). Using a paintbrush, dab chalk dust where discoloration can occur.

5. Finish Assembly cont.

Silo

- Snap Silo Chute (11) onto Silo (12) tightly and glue into place (Fig. 7a).
- Glue Silo Assembly (11,12) to Implement Shed (Fig. 7b).
- Glue large Silo Roof (13) in place (Fig. 7c).
- Glue Silo Chute Roof (14) in place (Fig. 7d).



Assemble and Install Roof

- Glue right Roof Section (16R) and left Roof Section (17L) to center Roof Section (15) (Fig. 8a). Verify grooves in underside of Roof Sections align.
- While glue is wet, test-fit Roof on Barn and make any adjustments to position of side sections. Remove Roof and let dry.
- Glue Pulley (18) into notch on underside of Roof (Fig. 8b). If hole for String contains mold flash, clear with tip of hobby knife before gluing in place.

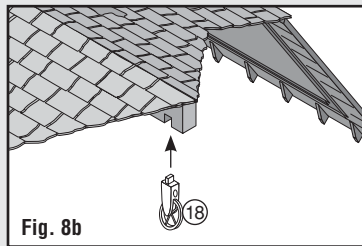
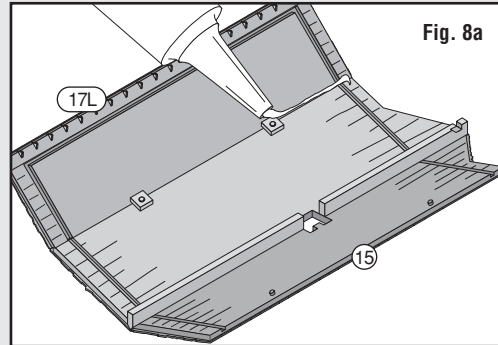


Fig. 8b

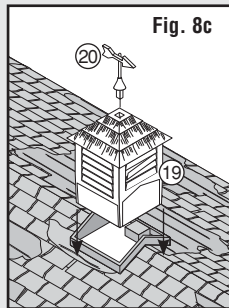


Fig. 8c

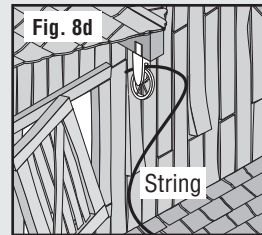


Fig. 8d

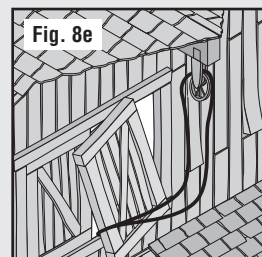
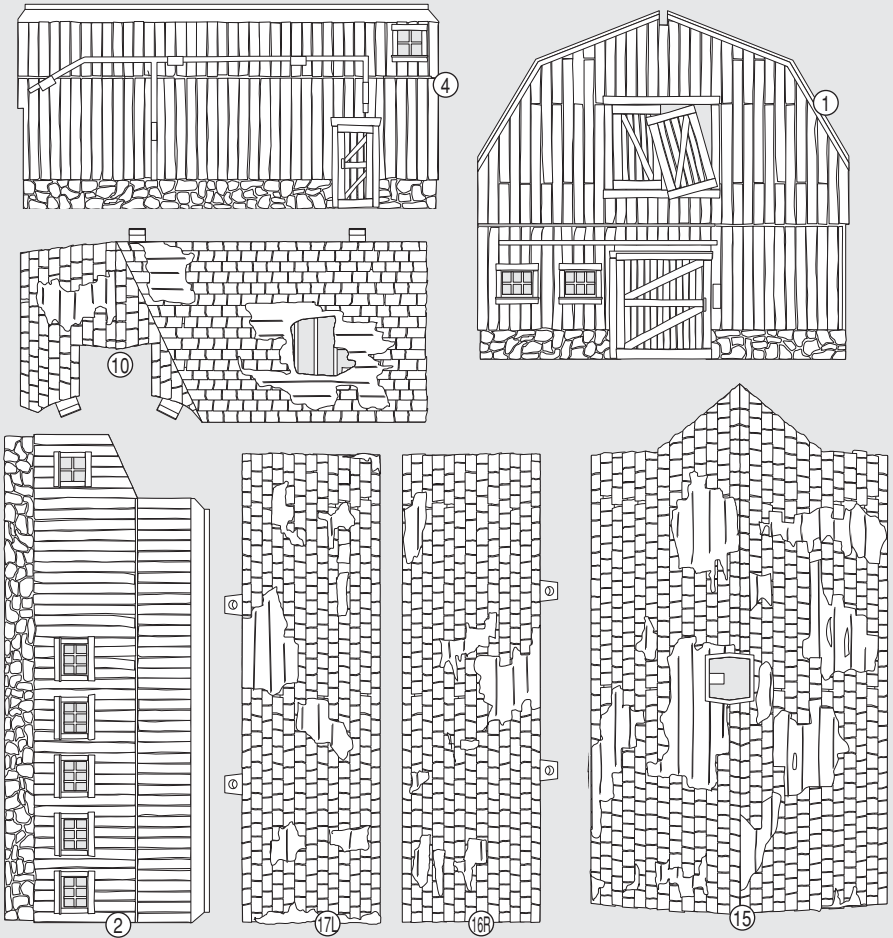


Fig. 8e

- Align grooves in underside of Roof with Barn and glue in place.
- Glue Cupola (19) and Weather Vane (20) to Roof (Fig. 8c).
- Insert String through hole in Pulley detail (Fig. 8d).
- Glue String to Pulley and into opening in Front Wall (Fig. 8e).



Before You Begin

- Read through instructions.
- Collect additional supplies.
- Check kit contents and verify Details.
- Cover project area with newspaper.

TIP! To assist in assembly, refer to exploded-view illustration on back of box.

Additional Needed Supplies

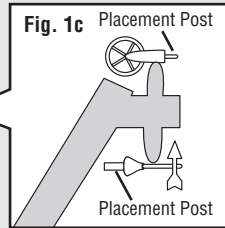
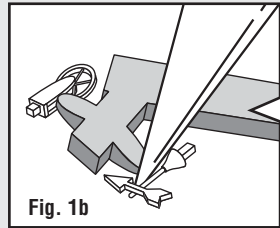
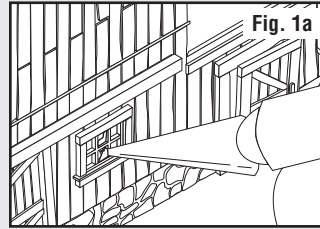
- | | |
|--|--|
| <input type="checkbox"/> Solvent-based Plastic Cement* | <input type="checkbox"/> Fine-Grade Sandpaper |
| <input type="checkbox"/> Cyanoacrylate Adhesive (CA glue / super glue) | <input type="checkbox"/> Tweezers |
| <input type="checkbox"/> Paints (acrylic or enamel)* | <input type="checkbox"/> Scissors |
| <input type="checkbox"/> Primer* | <input type="checkbox"/> Newspaper |
| <input type="checkbox"/> Painting Tools | <input type="checkbox"/> Ruler |
| <input type="checkbox"/> Hobby Knife/Flush Cutting Shears | <input type="checkbox"/> Scenic Cement™ (S191) or White Glue |

NOTE: Always allow glue to set before moving to the next step. Plastic cement works by dissolving the surface of plastic and welding parts together. Avoid contact with detail on parts.

*Contact your local hobby shop for recommendations.

1. Building and Detail Preparation

- Remove mold flash using a hobby knife and sandpaper (**Fig. 1a**). Make sure grooves and tabs necessary for assembly are free of mold debris. Do not remove Details from sprues at this time.
- Wash Wall and Roof Sections and Details in warm, soapy water using a mild detergent. Rinse and let dry.
- Details can be left on sprues or removed for priming and painting. Remove using a hobby knife (or flush cutting shears) and sand off parting lines (**Fig. 1b**). Details may be easier to paint on sprue. It also makes identifying them easier during assembly.
- Do not remove placement posts or assembly tabs (**Fig. 1c**).

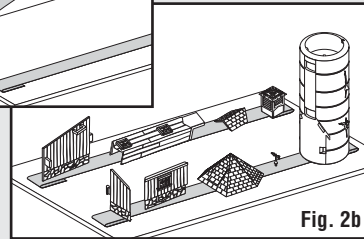
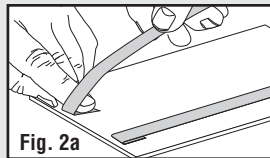


2. Prime and Paint

Do not prime or paint placement posts.

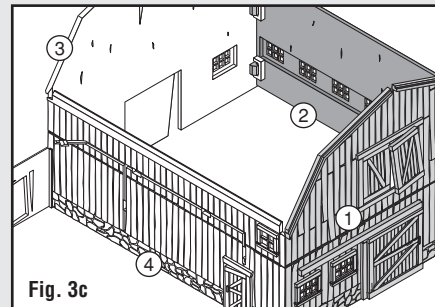
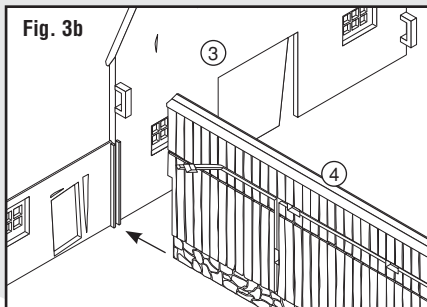
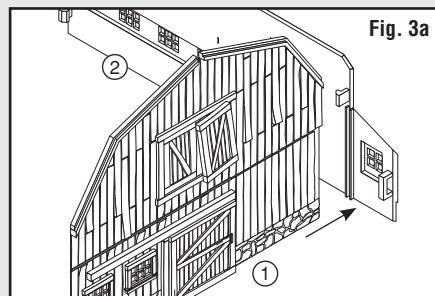
- Apply a thin coat of primer and let dry.
- Paint as desired and let dry. See Tips & Techniques on pg. 6 for painting tips and weathering techniques.

TIP! To make priming and painting loose Details easier, secure them to strips of masking tape attached (sticky side up) to a piece of cardboard (**Fig. 2a and 2b**).



3. Assemble Walls

- Align Front Wall ① with groove on Right Wall ② and snap into place (**Fig. 3a**).
- Align Left Wall ④ with groove on Back Wall ③ and snap into place (**Fig. 3b**).
- Connect Wall Assembly ①,② to Wall Assembly ③,④ (**Fig. 3c**).
- Keep Walls aligned and square, and apply glue along inside seams.



4. Install Window Material

Remove Protective film before installation.

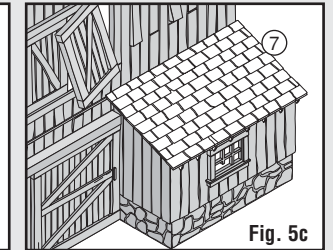
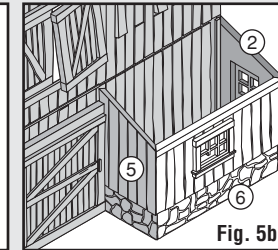
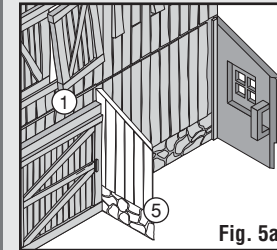
- Cut Clear Window Material to size for window openings.
- Insert Window Material into recess of window openings on inside of Building and dab a tiny amount of glue carefully around edges.

5. Finish Assembly

Storage Room

If Details were left on sprues during priming and painting, remove with a hobby knife (or flush cutting shears). Sand parting lines and touch-up with paint.

- Connect Storage Room Side Wall ⑤ to Front Wall ① (**Fig. 5a**).
- Attach Storage Room Front Wall ⑥ to Storage Room Wall ⑤ and Right Wall ② (**Fig. 5b**). Apply glue along inside seams.
- Align tabs on underside of Storage Room Roof ⑦ with Storage Room Assembly and glue into place (**Fig. 5c**).



Implement Shed

- Glue Implement Shed Back Wall ⑧ to Implement Shed Side Wall ⑨ (**Fig. 6a**).
- Align tabs on underside of Implement Shed Roof ⑩ with notches in Wall Assembly ⑧,⑨ and glue into place (**Fig. 6b**).
- Glue Implement Shed Assembly ⑧,⑨,⑩ into place on Wall ④, aligning tabs and notches (**Fig. 6c**). Apply glue carefully along tabs and inside seams.

